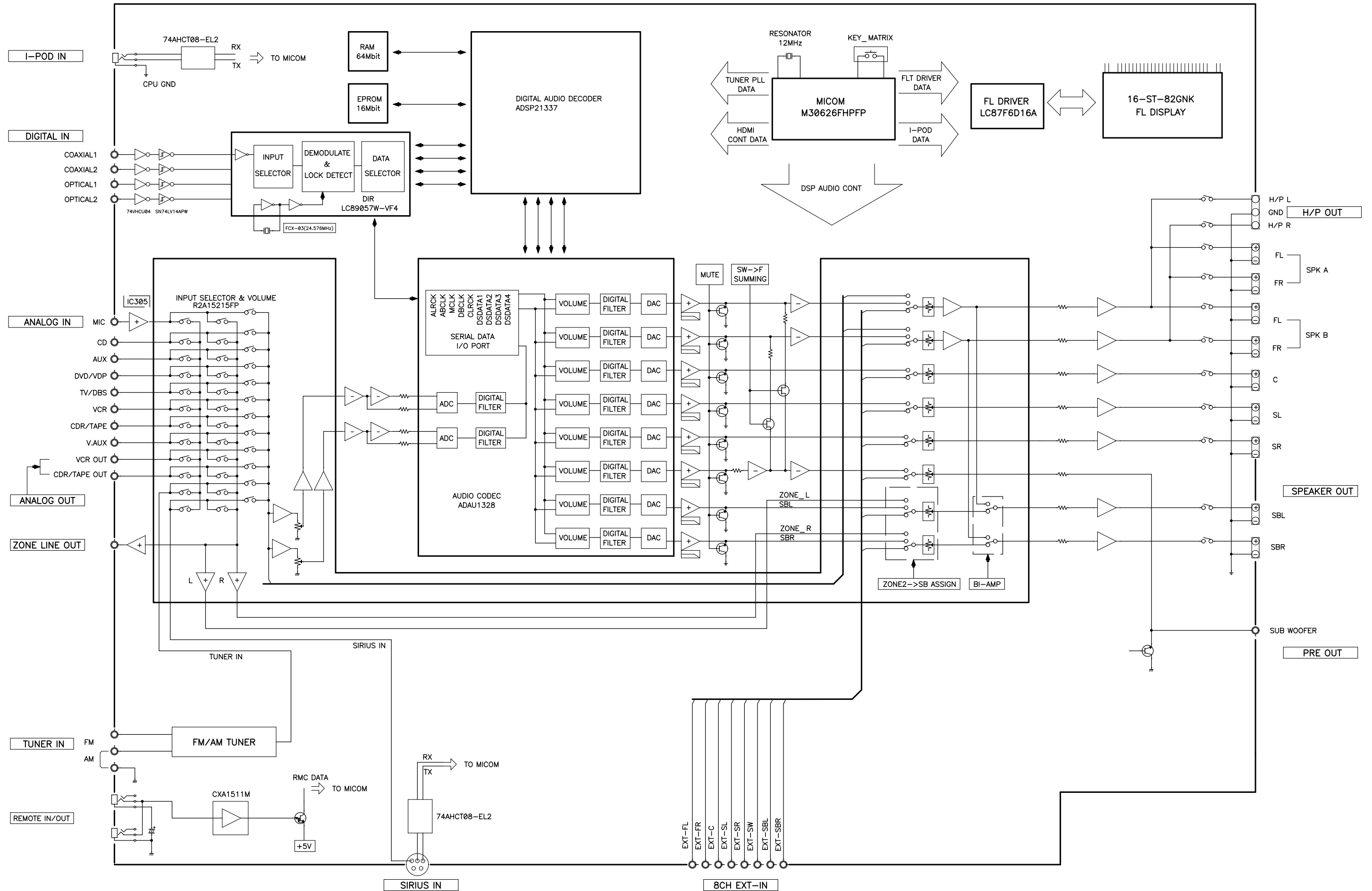
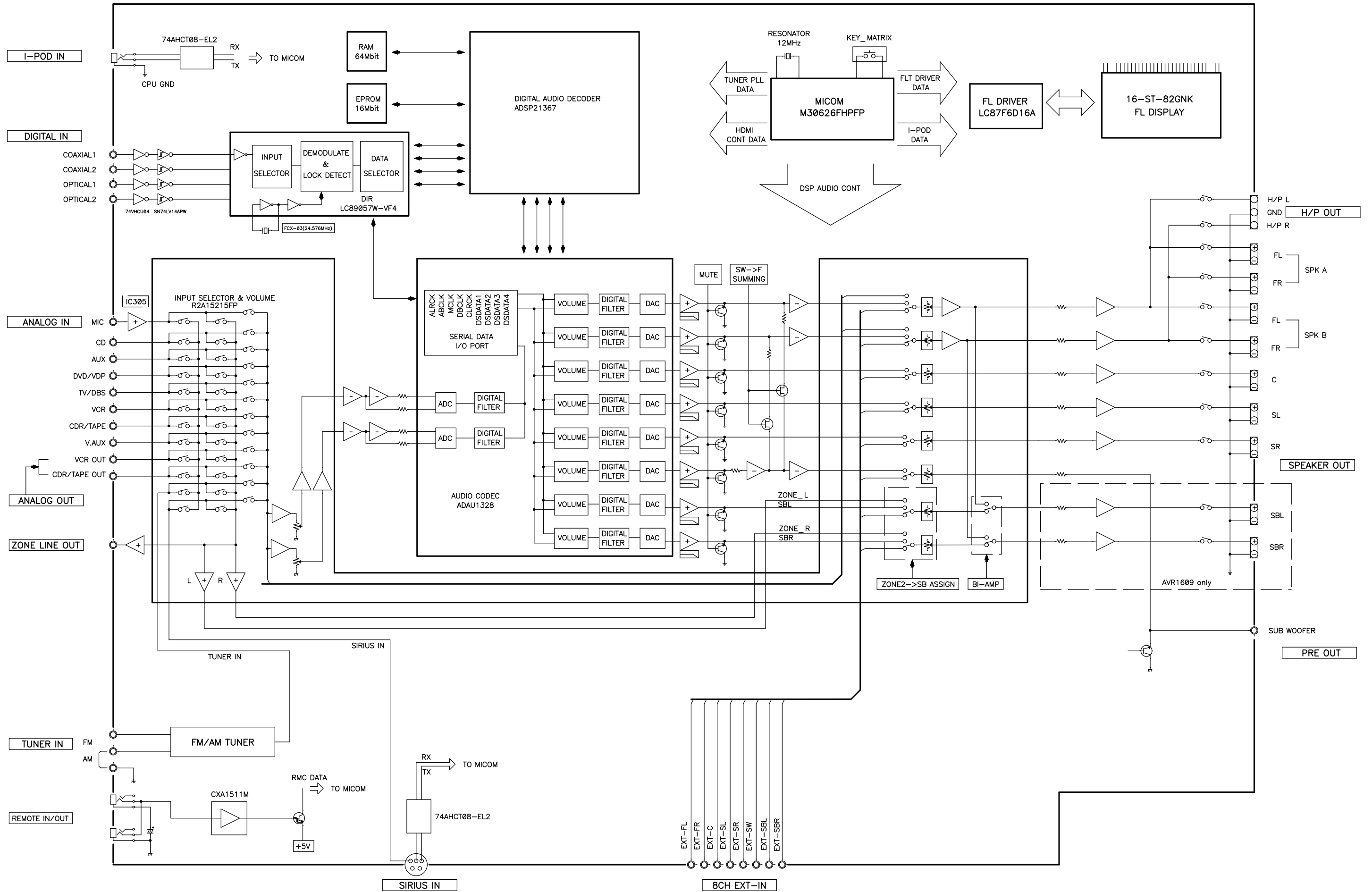


BLOCK DIAGRAM

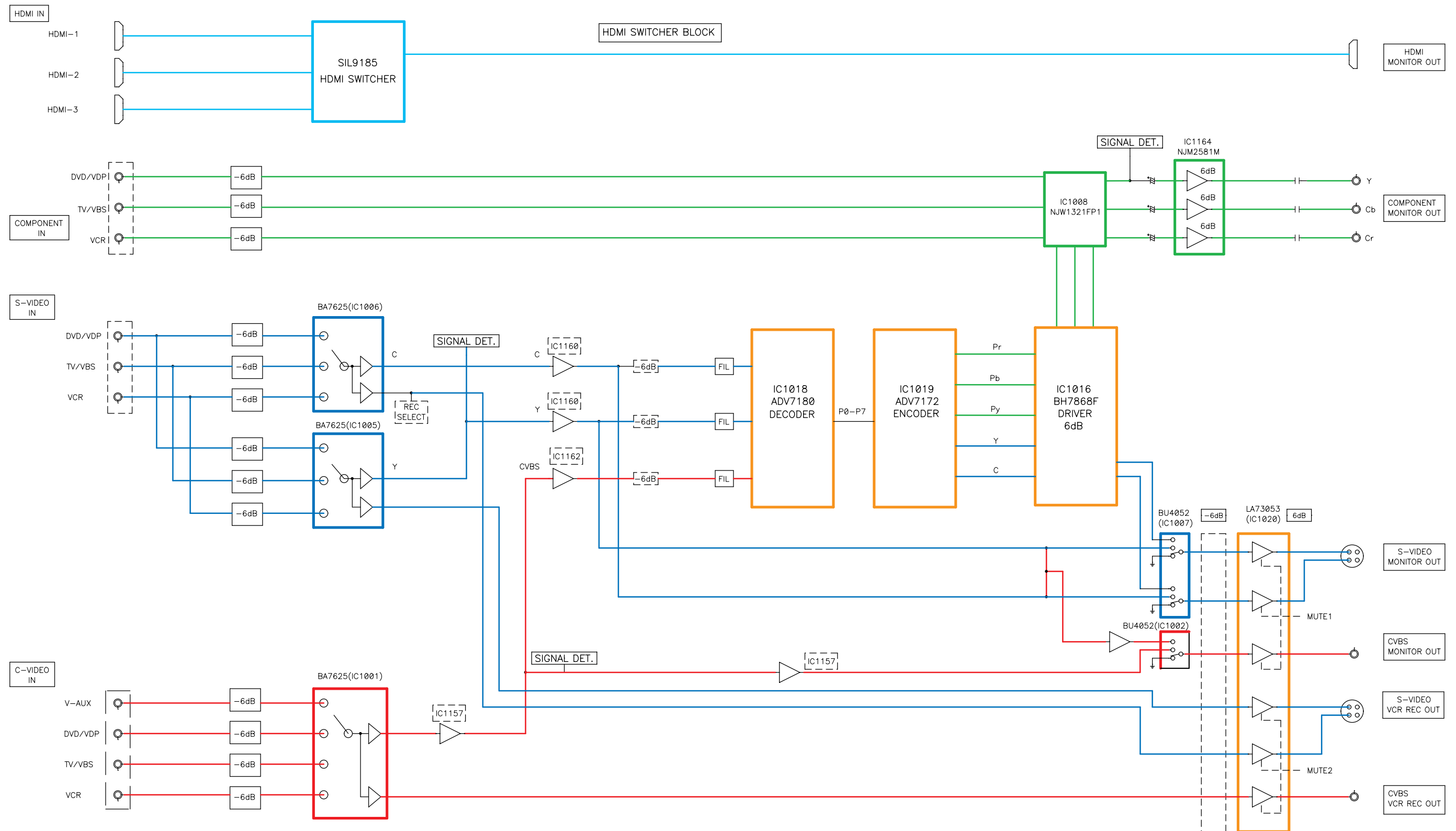
AUDIO BLOCK DIAGRAM (for AVR-1709/689 model)



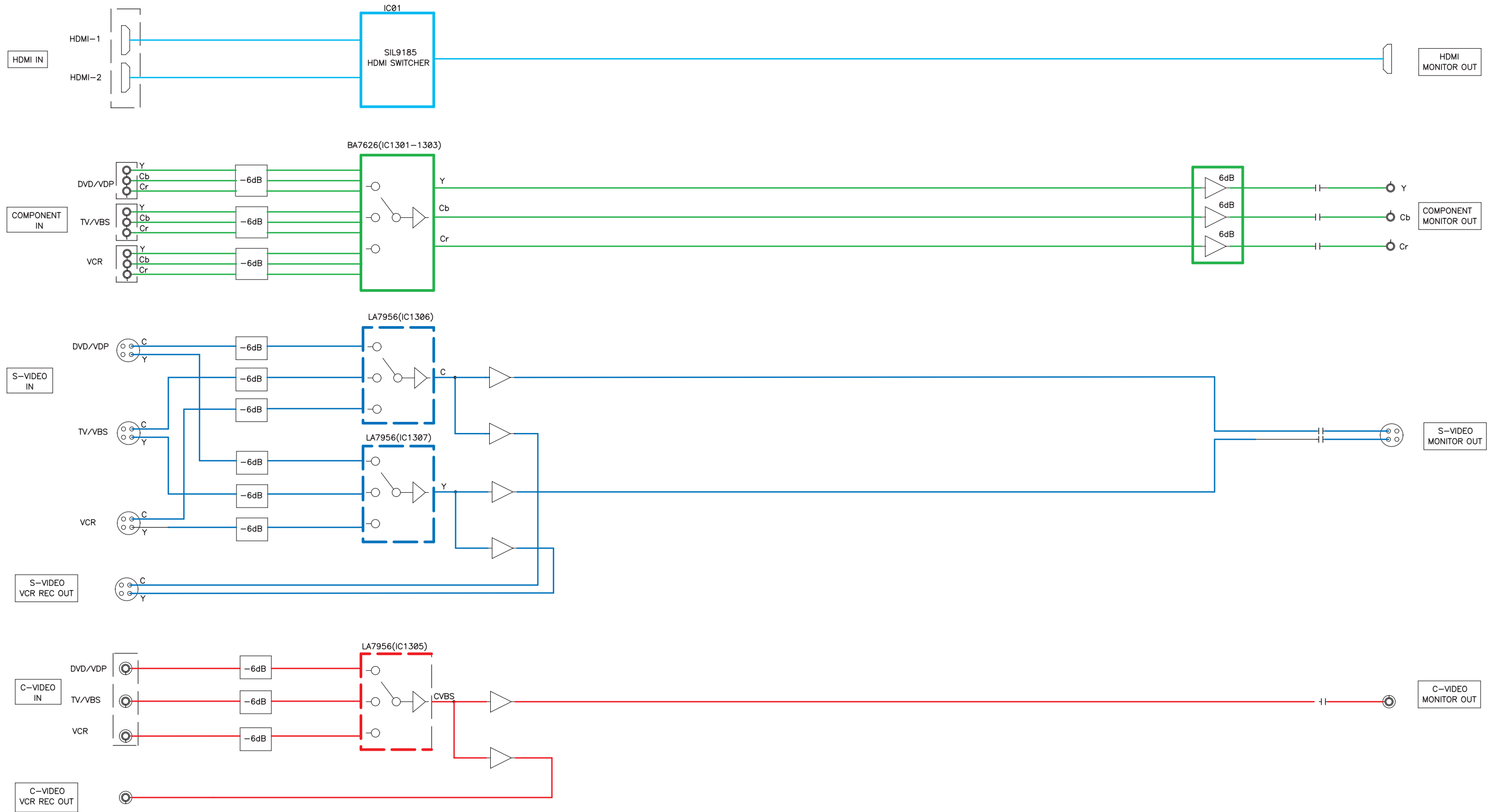
AUDIO BLOCK DIAGRAM (for AVR-1609/1519/1509/589, AVC-1509 model)



VIDEO BLOCK DIAGRAM (for AVR-1709/689 model)

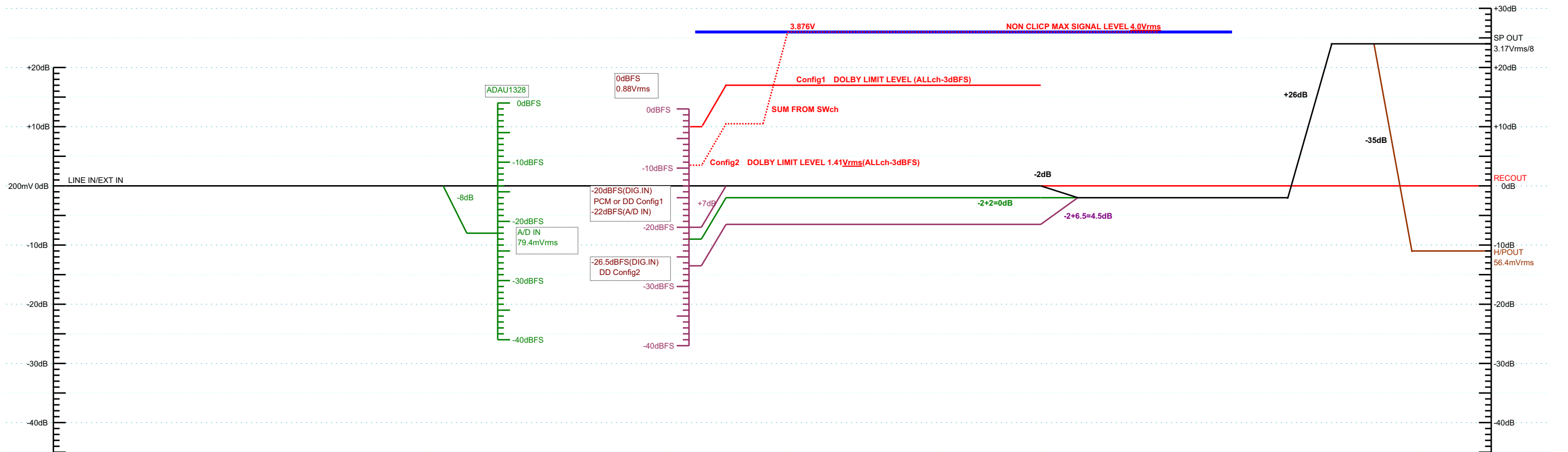
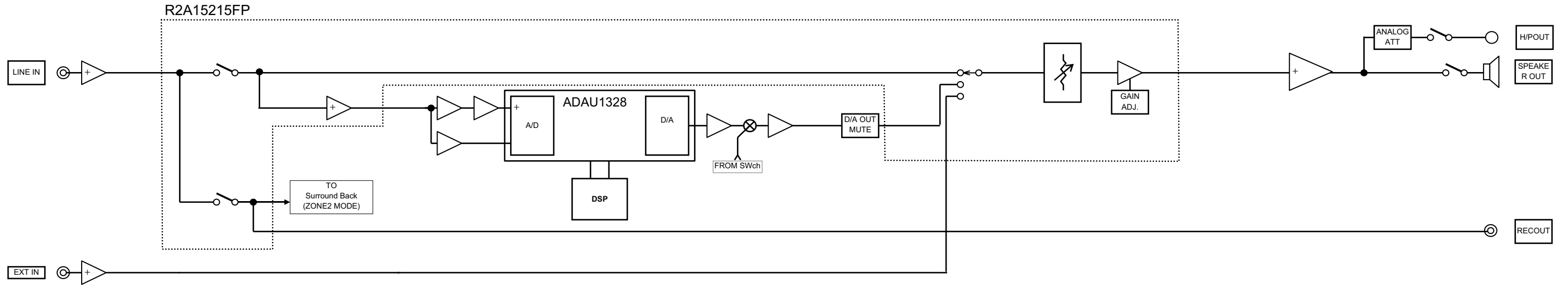


VIDEO BLOCK DIAGRAM (for AVR-1609/1519/1509/589, AVC-1509 model)



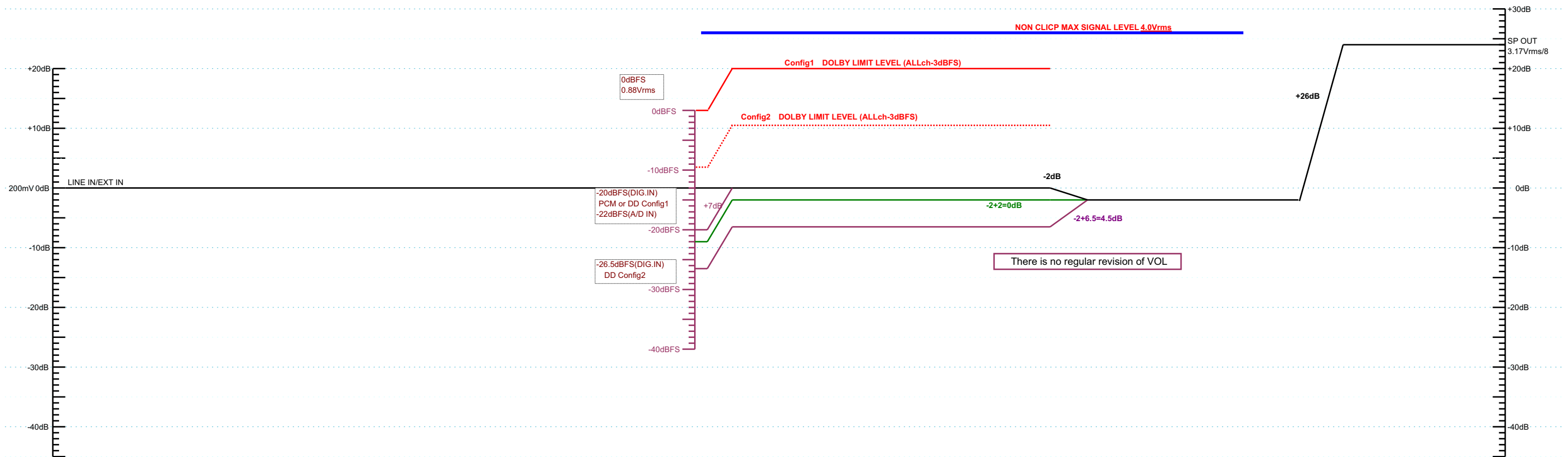
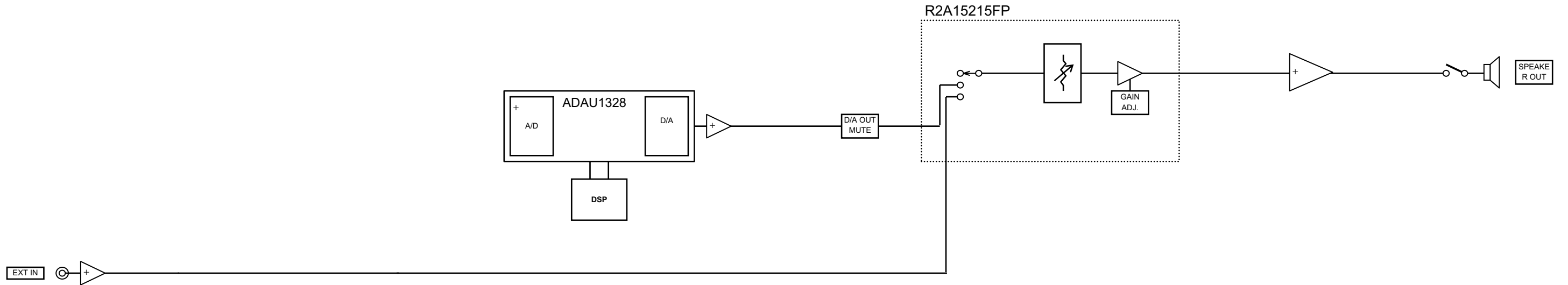
LEVEL DIAGRAMS (1/5)
FRONT LEVEL DIAGRAM

AVR-1709
LEVEL DIAGRAM
FRONT ch



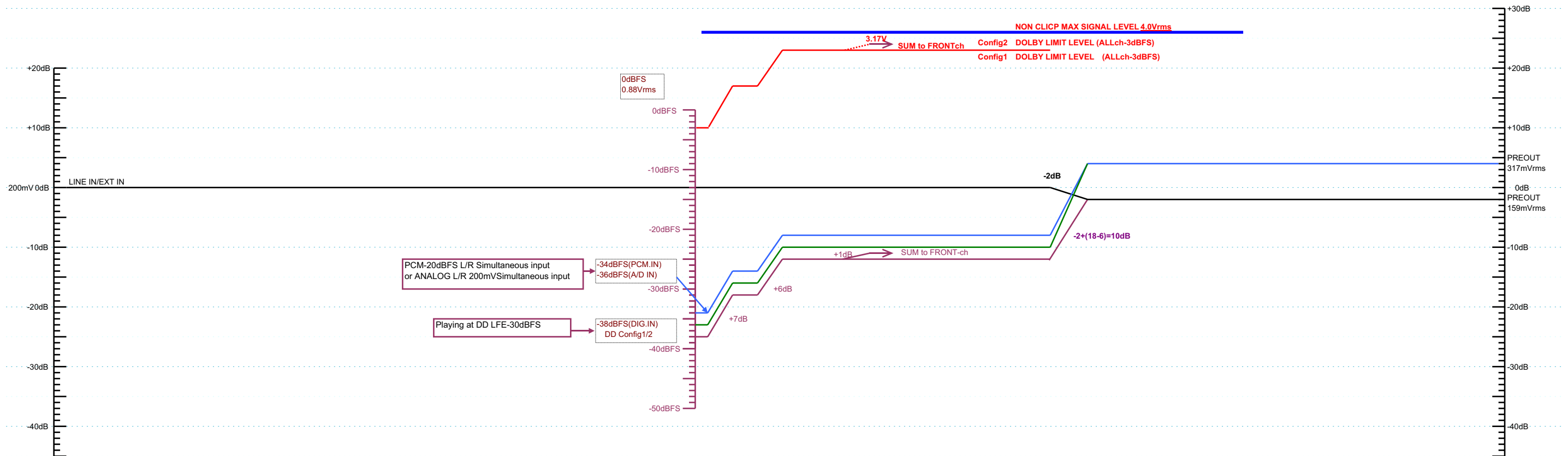
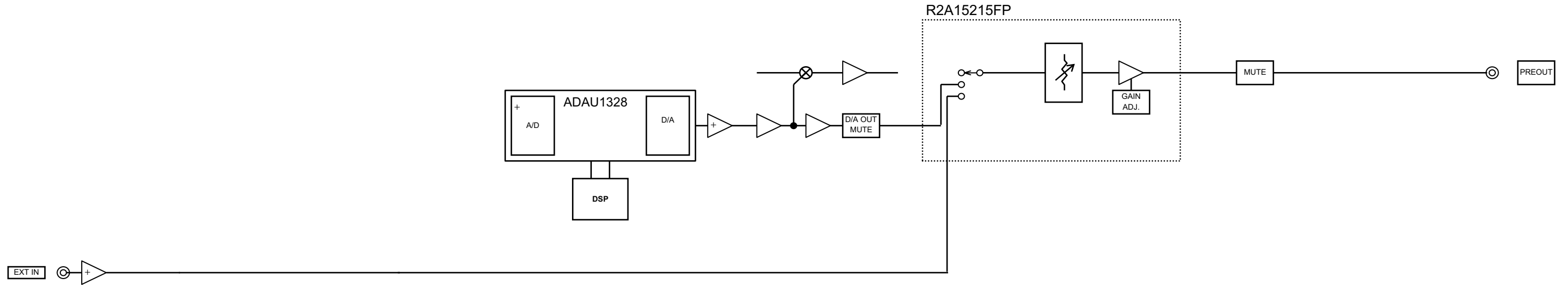
LEVEL DIAGRAMS (2/5)
CENTER LEVEL DIAGRAM

AVR-1709
LEVEL DIAGRAM
CENTER ch



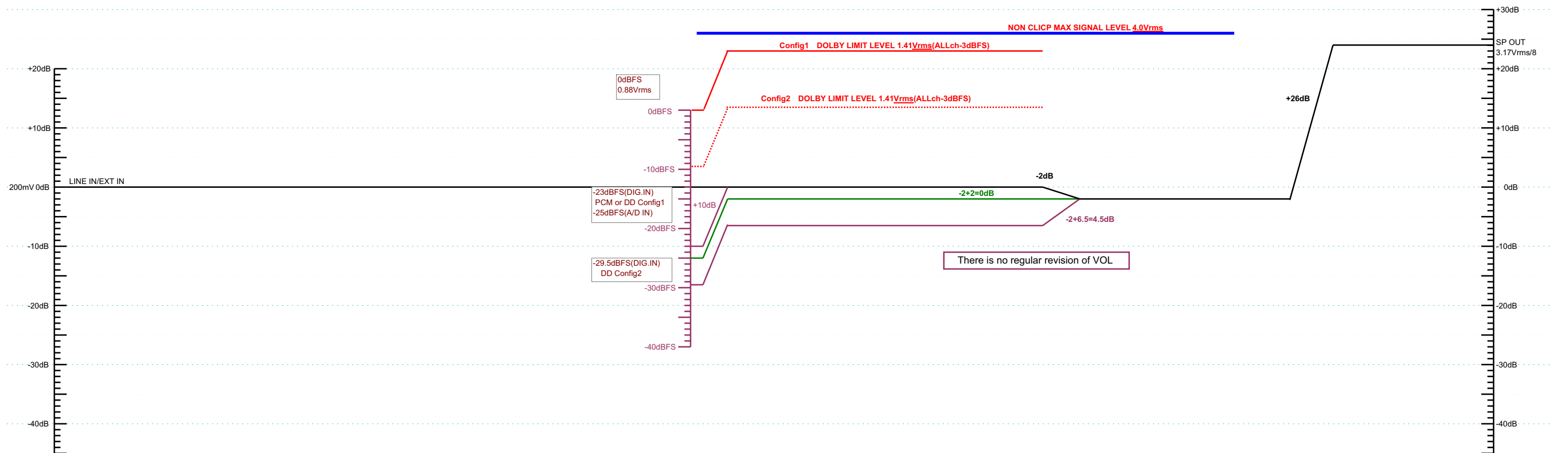
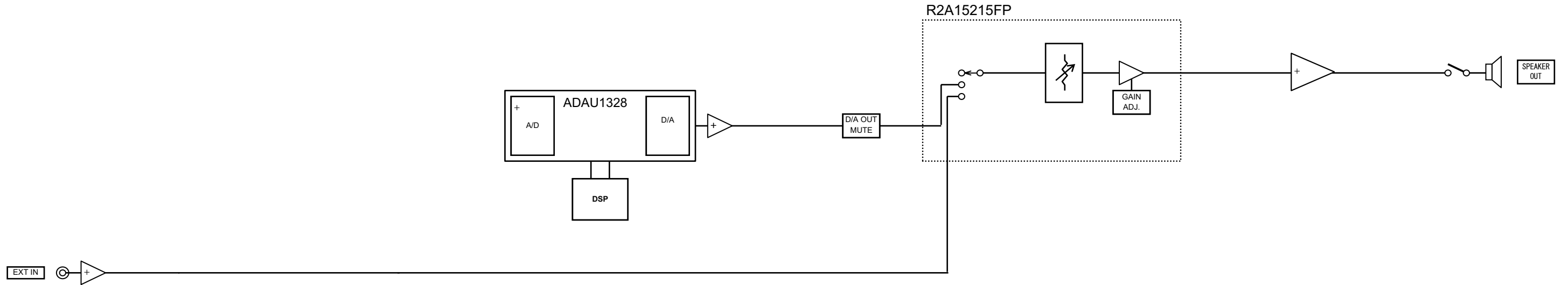
LEVEL DIAGRAMS (3/5)
SUB WOOFER LEVEL DIAGRAM

AVR-1709
LEVEL DIAGRAM
SUBWOOFER ch



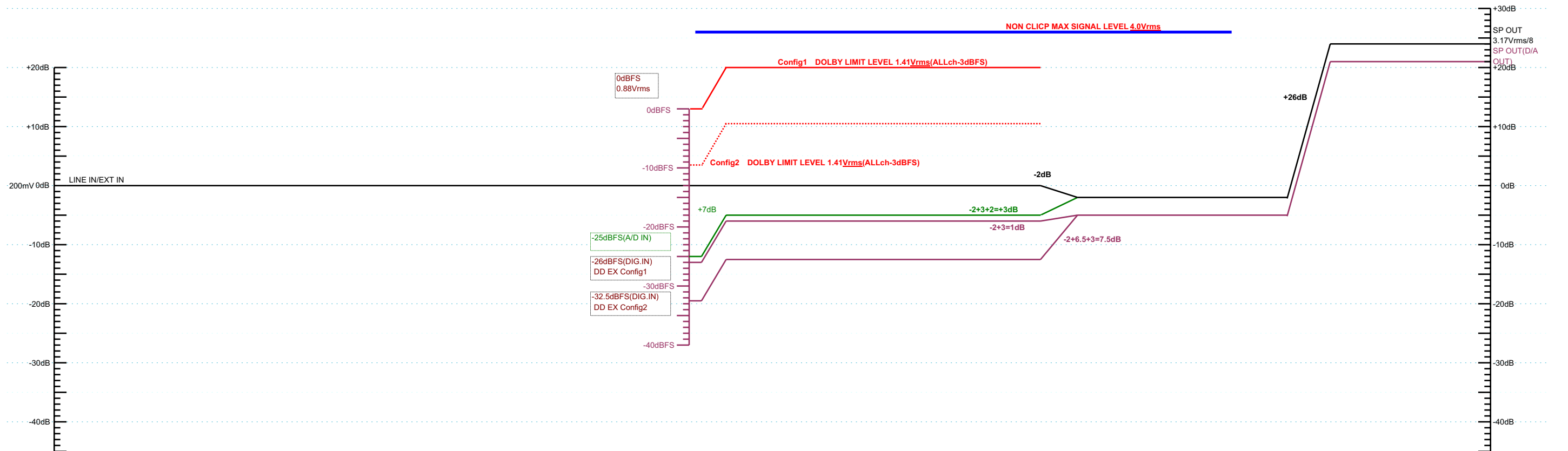
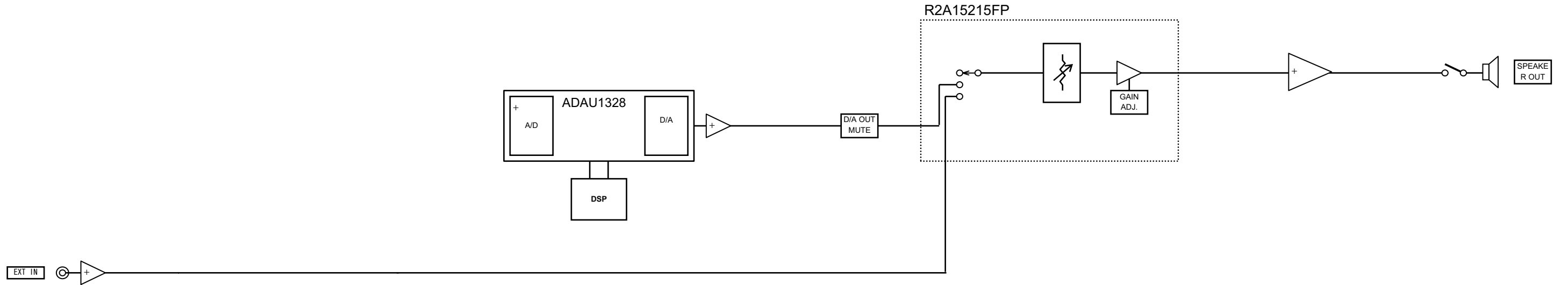
LEVEL DIAGRAMS (4/5)
SURROUND LEVEL DIAGRAM

AVR-1709
LEVEL DIAGRAM
SURROUND ch



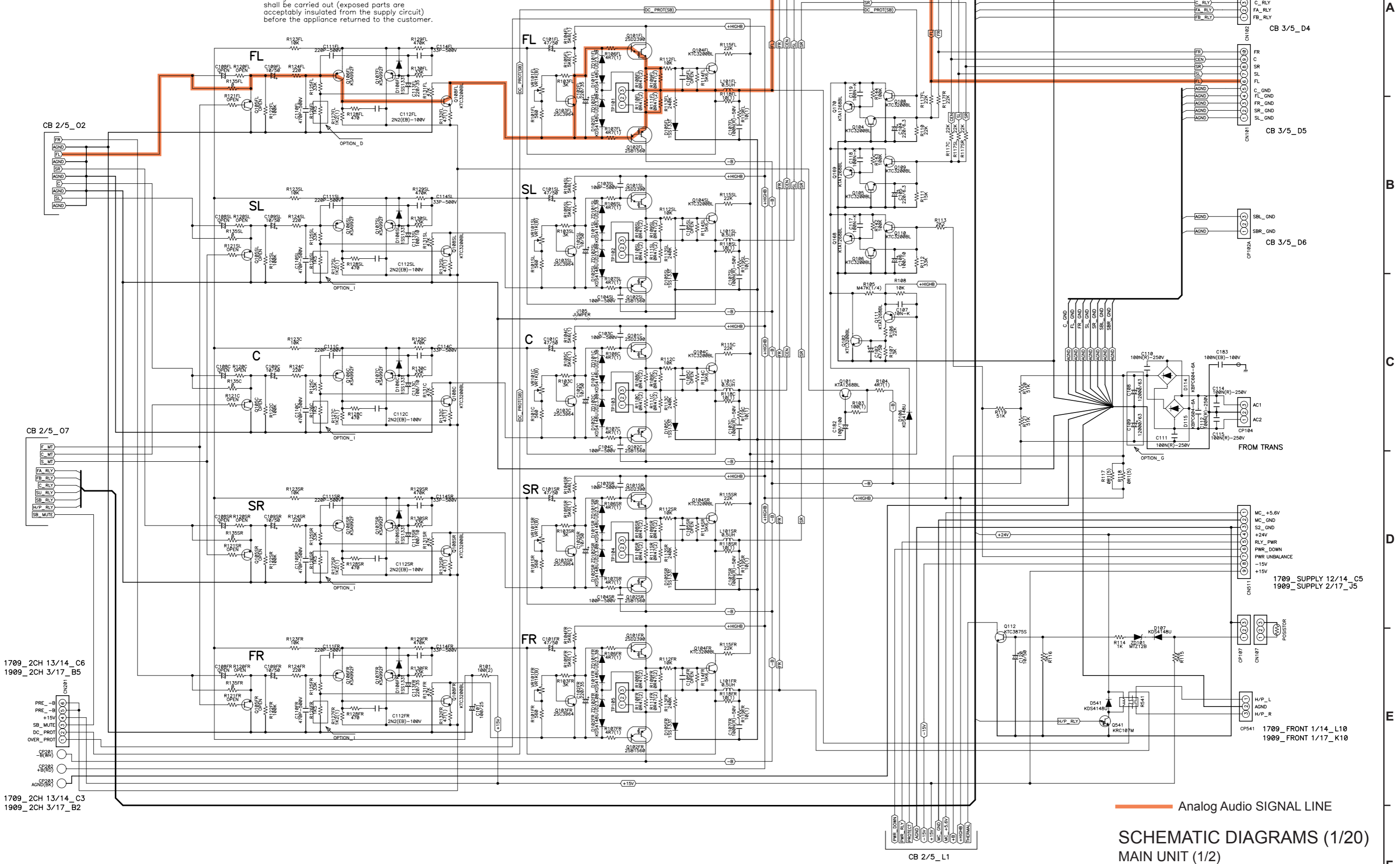
LEVEL DIAGRAMS (5/5)
SURROUND BACK LEVEL DIAGRAM

AVR-1709
LEVEL DIAGRAM
SURR.BACK ch



CAUTION: For continued safety, replace critical components only with manufacturers recommended parts (refer to parts list)
⚠ indicates safety critical components.
To reduce the risk of electric shock, leakage current or resistance measurements shall be carried out (exposed parts are acceptably insulated from the supply circuit) before the appliance returned to the customer.

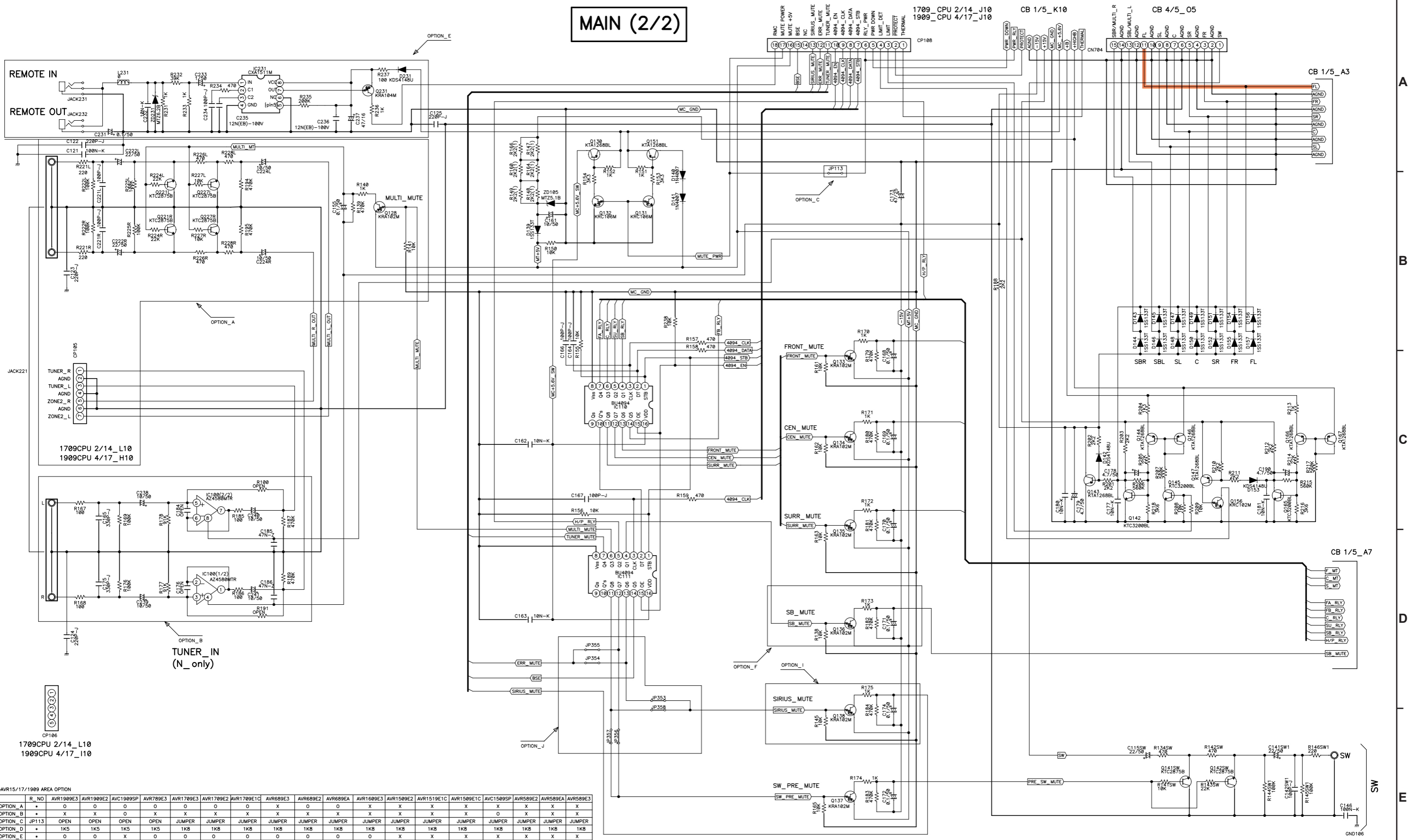
MAIN (1/2)



— Analog Audio SIGNAL LINE

SCHEMATIC DIAGRAMS (1/20) MAIN UNIT (1/2)

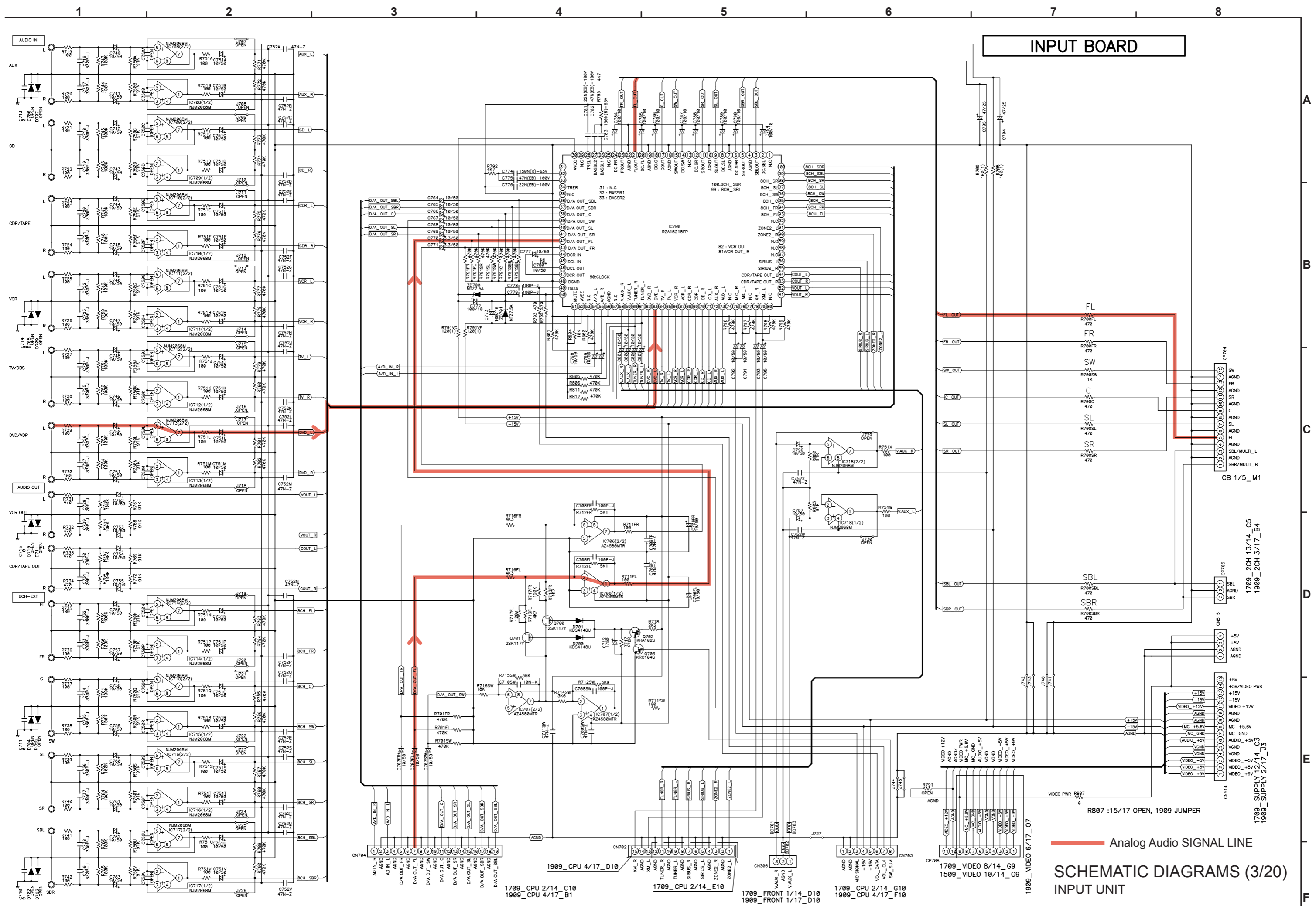
MAIN (2/2)



AVR15/17/1989 AREA OPTION

R_NO	AVR1989E3	AVR1989E2	AVC1989SP	AVR789E3	AVR1789E3	AVR1789E2	AVR1789E1C	AVR689E3	AVR689E2	AVR689EA	AVR1689E3	AVR1589E2	AVR1519E1C	AVR1589E1C	AVC1589SP	AVR589E2	AVR589EA	AVR589E3
OPTION_A	0	0	0	0	0	0	0	0	0	0	0	0	0	0	0	0	0	0
OPTION_B	0	0	0	0	0	0	0	0	0	0	0	0	0	0	0	0	0	0
OPTION_C	0	0	0	0	0	0	0	0	0	0	0	0	0	0	0	0	0	0
OPTION_D	0	0	0	0	0	0	0	0	0	0	0	0	0	0	0	0	0	0
OPTION_E	0	0	0	0	0	0	0	0	0	0	0	0	0	0	0	0	0	0
OPTION_F	0	0	0	0	0	0	0	0	0	0	0	0	0	0	0	0	0	0
OPTION_G	0	0	0	0	0	0	0	0	0	0	0	0	0	0	0	0	0	0
OPTION_I	0	0	0	0	0	0	0	0	0	0	0	0	0	0	0	0	0	0
OPTION_J	0	0	0	0	0	0	0	0	0	0	0	0	0	0	0	0	0	0

— Analog Audio SIGNAL LINE
SCHMATIC DIAGRAMS (2/20)
 MAIN UNIT (2/2)

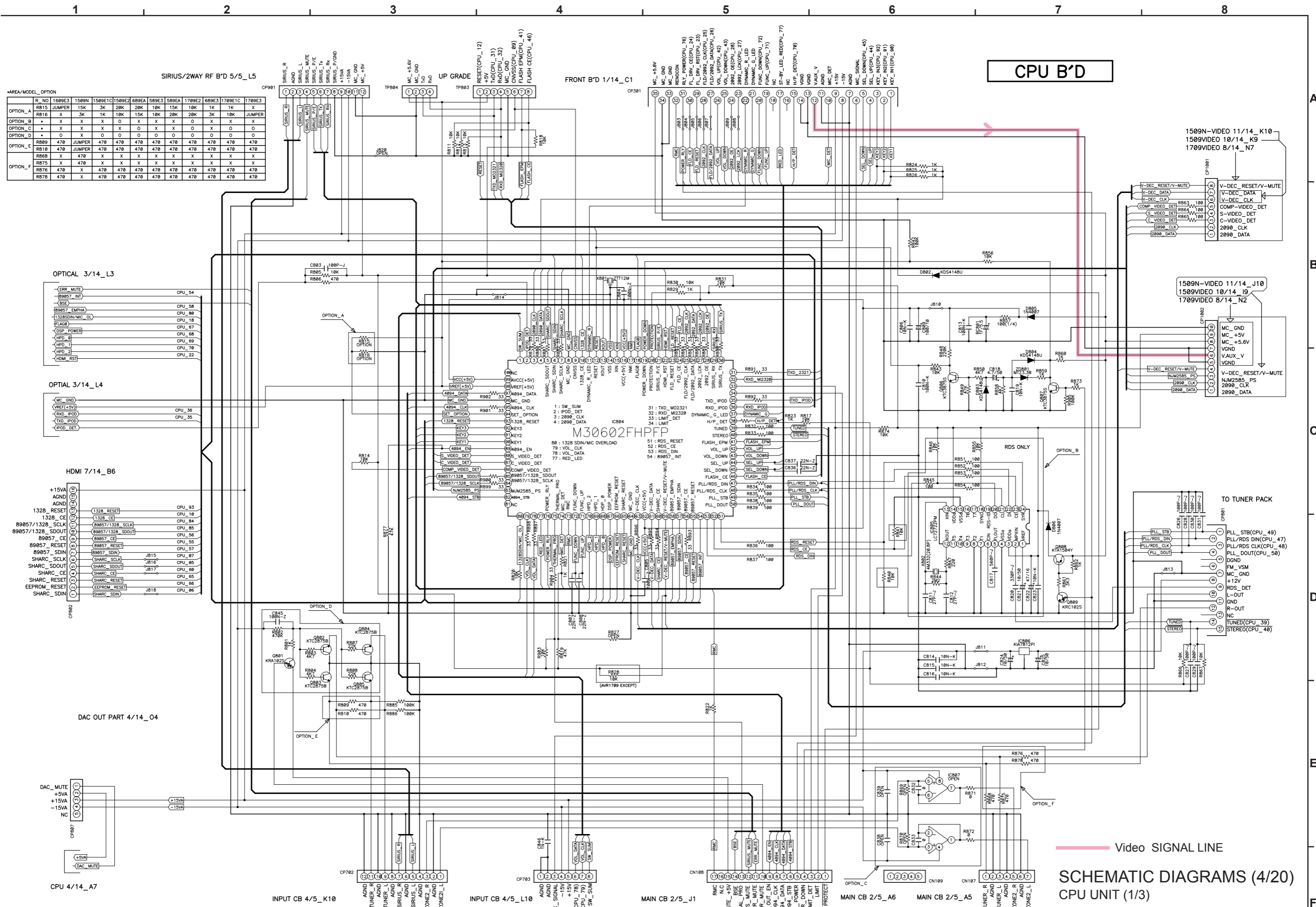


INPUT BOARD

— Analog Audio SIGNAL LINE

**SCHEMATIC DIAGRAMS (3/20)
INPUT UNIT**

- 1709_CPU 2/14_C10
- 1909_CPU 4/17_B1
- 1709_CPU 2/14_E10
- 1709_FRONT 1/14_D10
- 1909_FRONT 1/17_D10
- 1709_CPU 2/14_G10
- 1909_CPU 4/17_F10
- 1709_VIDEO 8/14_G9
- 1509_VIDEO 10/14_G9
- 1709_VIDEO 6/17_O7
- 1709_CPU 2/14_C5
- 1909_CPU 3/17_B4
- 1709_SUPPLY 12/14_C3
- 1909_SUPPLY 2/17_J3



AREA/MODEL_OPTION

R_NO	1609E3	1509	1509E1C	1509E2	689EA	589E3	589EA	1709E2	689E3	1709E1C	1709E3
OPTION_A	R815	JUMPER	15K	3K	20K	20K	18K	15K	10K	1K	X
OPTION_B	R816	X	3K	1K	10K	15K	18K	20K	3K	10K	JUMPER
OPTION_C	R809	X	X	X	0	X	X	0	X	0	0
OPTION_D	R810	X	X	X	0	0	0	0	0	0	0
OPTION_E	R809	470	JUMPER	470	470	470	470	470	470	470	470
OPTION_F	R810	470	JUMPER	470	470	470	470	470	470	470	470
	R868	X	470	X	X	X	X	X	X	X	X
	R875	X	470	X	X	X	X	X	X	X	X
	R876	470	X	470	470	470	470	470	470	470	470
	R878	470	X	470	470	470	470	470	470	470	470

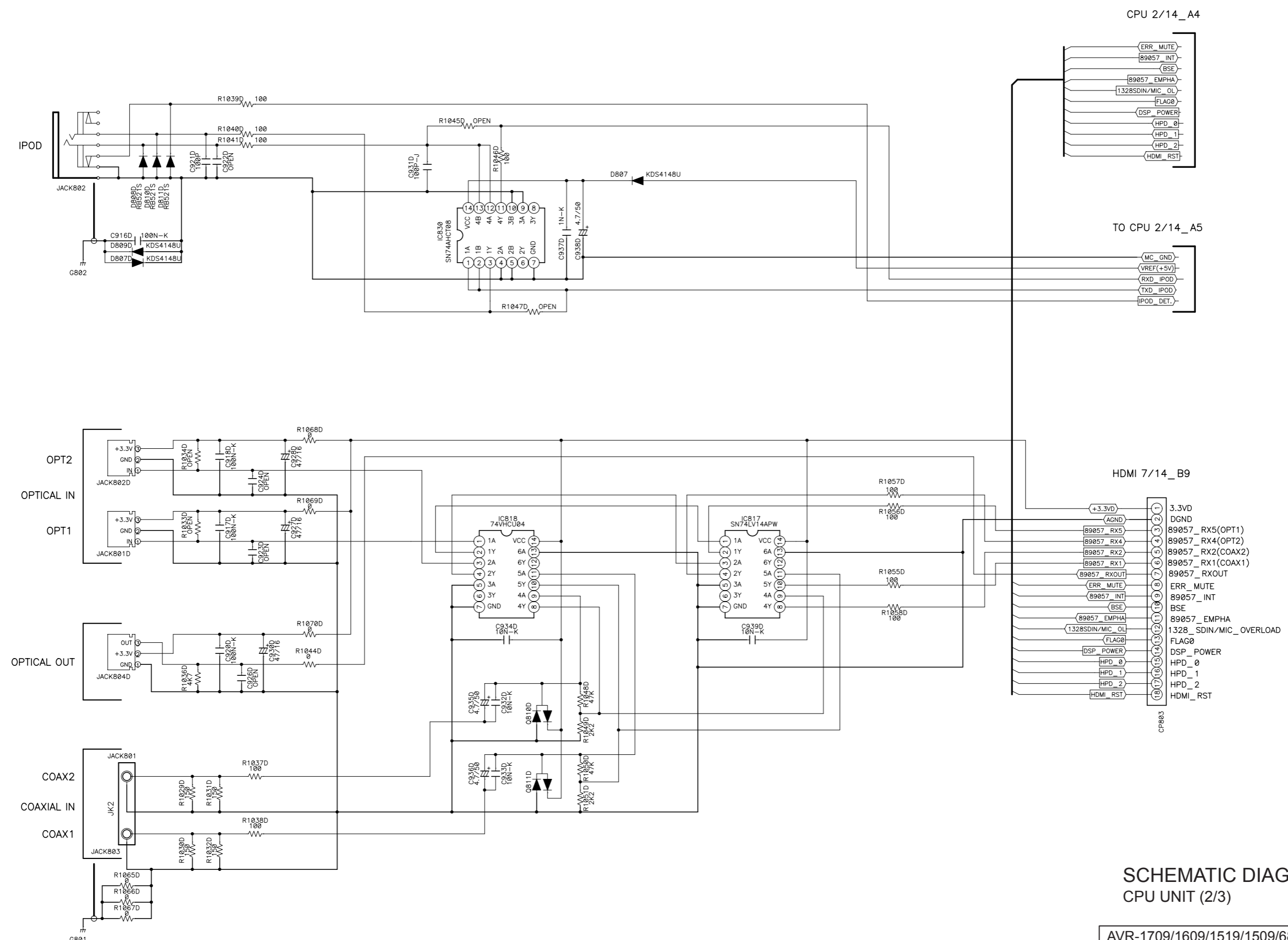
CPU B'D

Video SIGNAL LINE

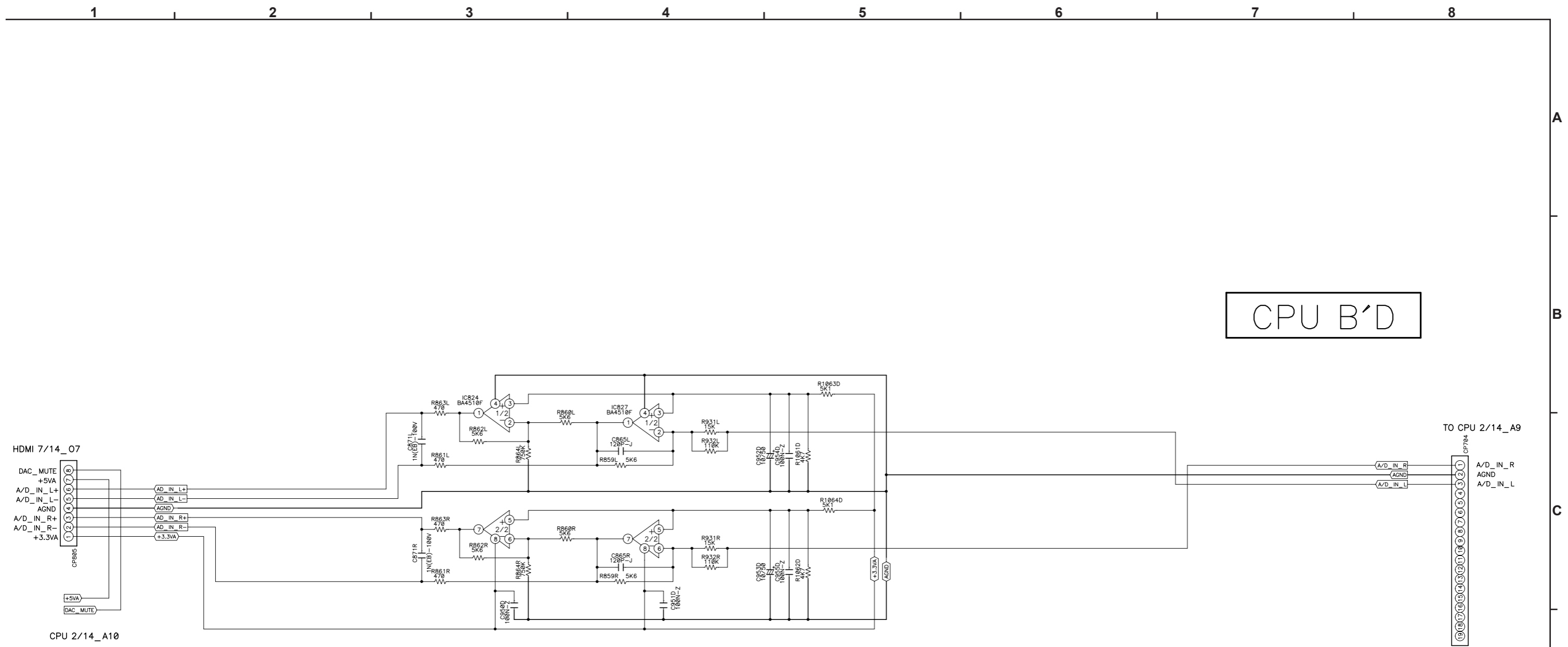
SCHMATIC DIAGRAMS (4/20)
CPU UNIT (1/3)

AVR-1709/1609/1519/1509/689/589, AVC-1509

CPU B'D

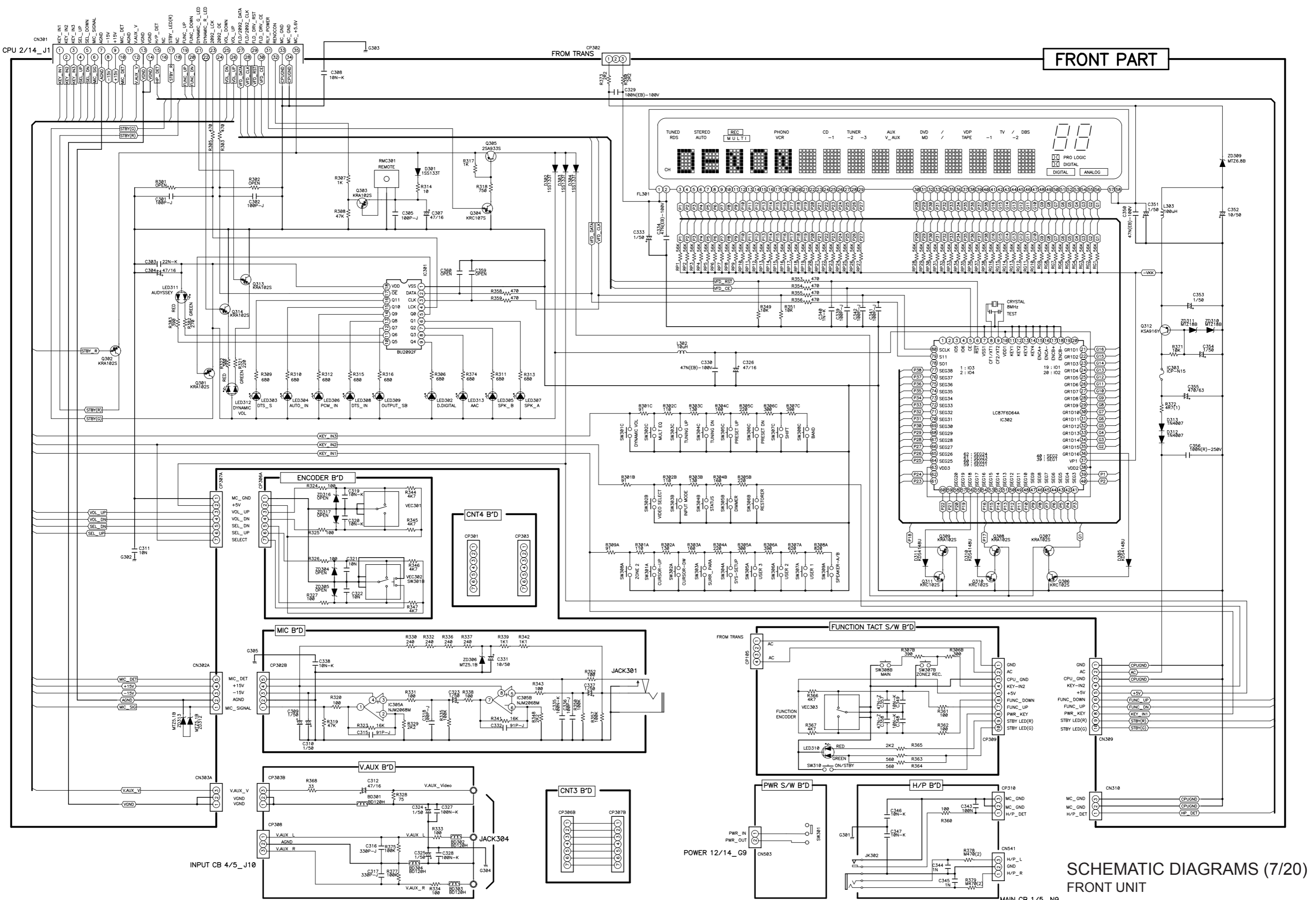


SCHEMATIC DIAGRAMS (5/20)
CPU UNIT (2/3)



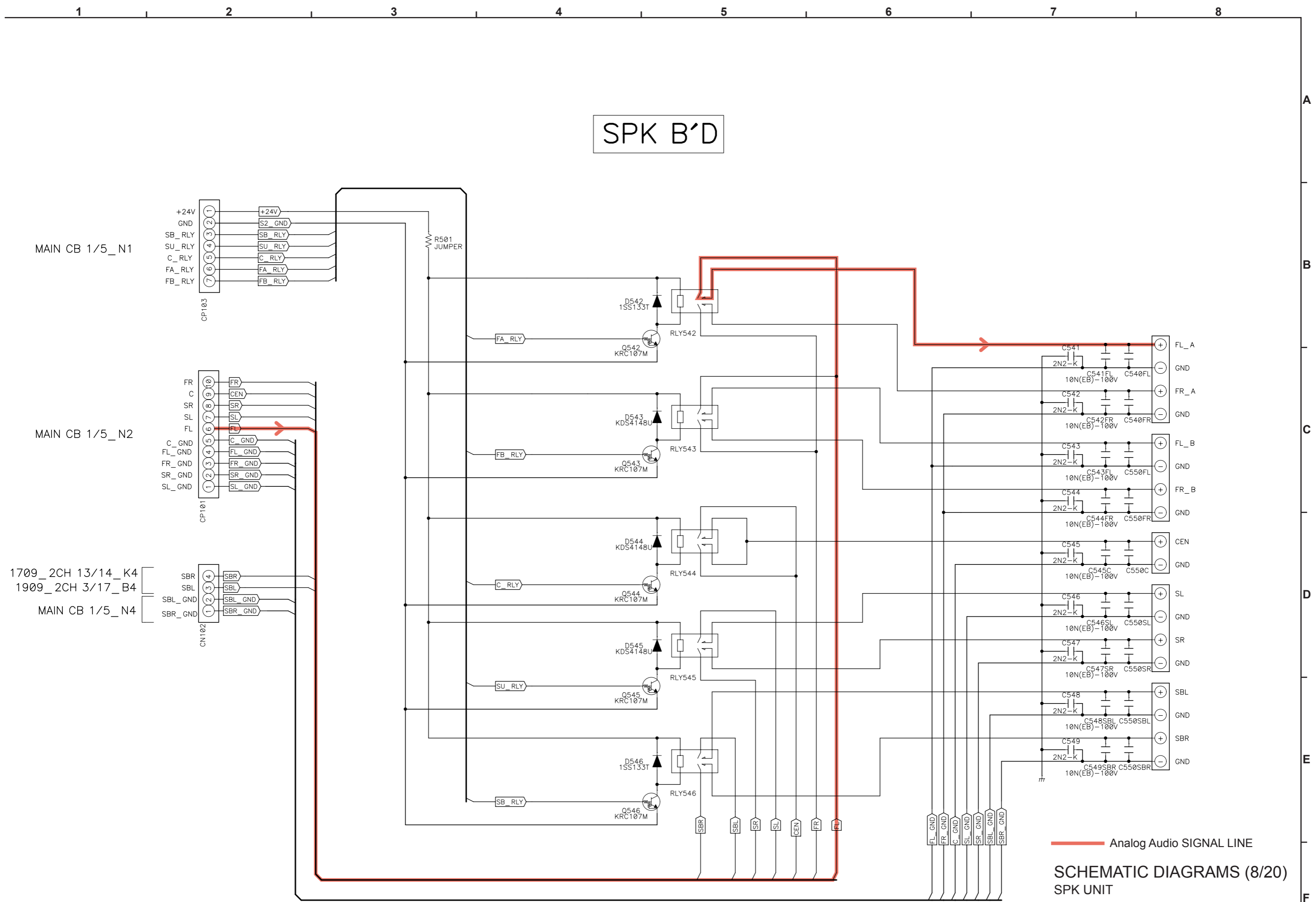
CPU B'D

FRONT PART



SCHEMATIC DIAGRAMS (7/20) FRONT UNIT

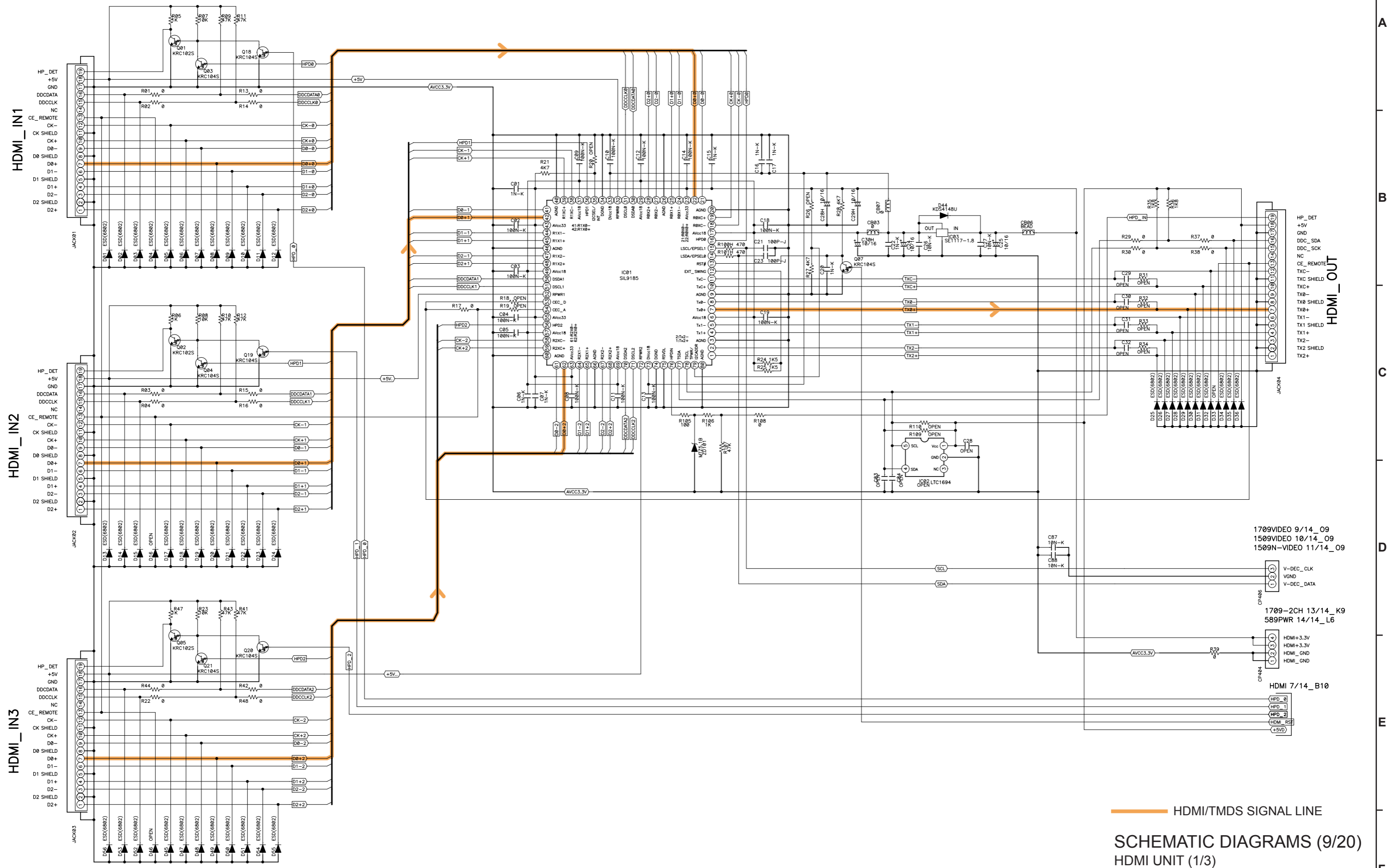
SPK B'D



— Analog Audio SIGNAL LINE

SCHEMATIC DIAGRAMS (8/20)
SPK UNIT

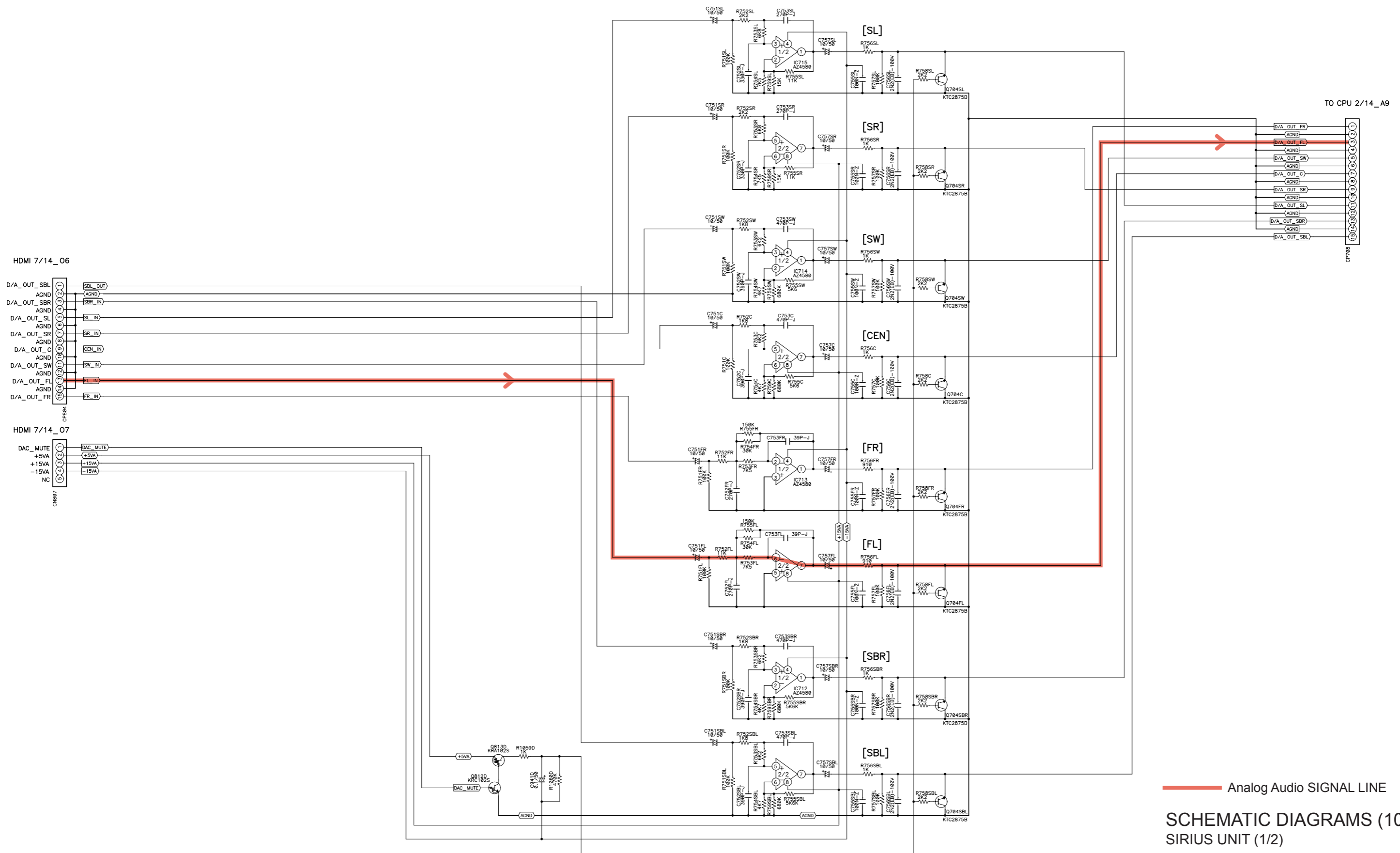
HDMI B'D



— HDMI/TMDs SIGNAL LINE

SCHEMATIC DIAGRAMS (9/20)
HDMI UNIT (1/3)

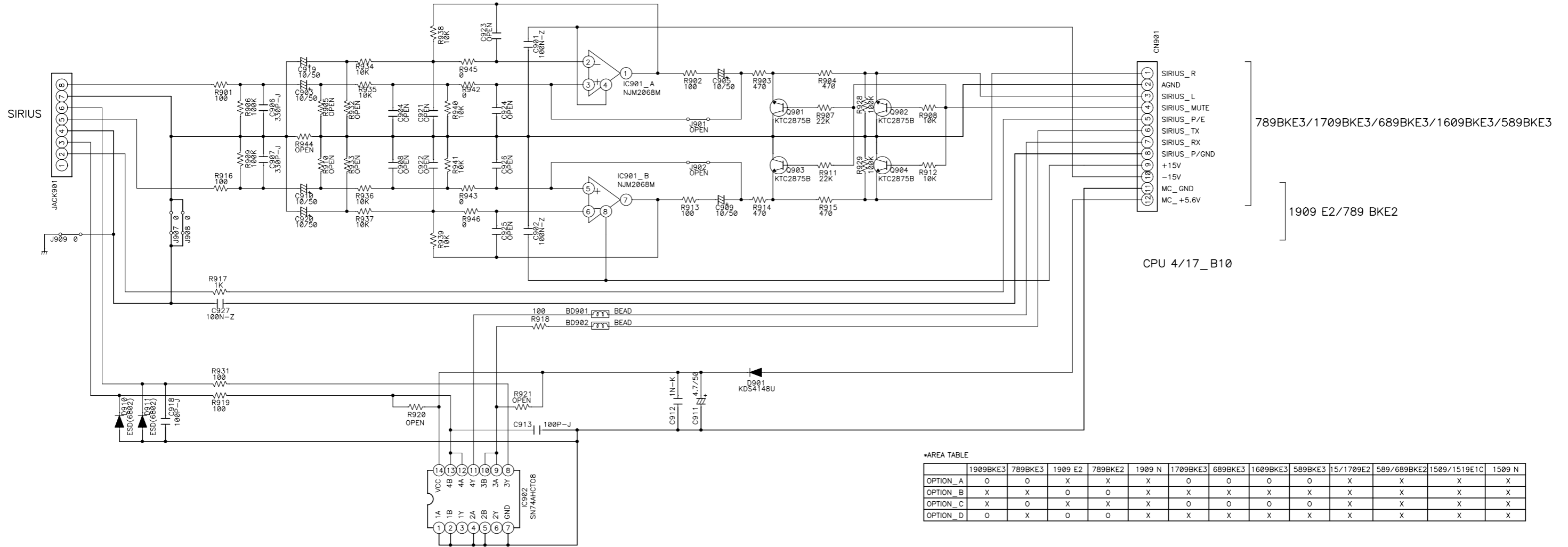
SIRIUS B'D



— Analog Audio SIGNAL LINE

SCHEMATIC DIAGRAMS (10/20)
SIRIUS UNIT (1/2)

SIRIUS B'D

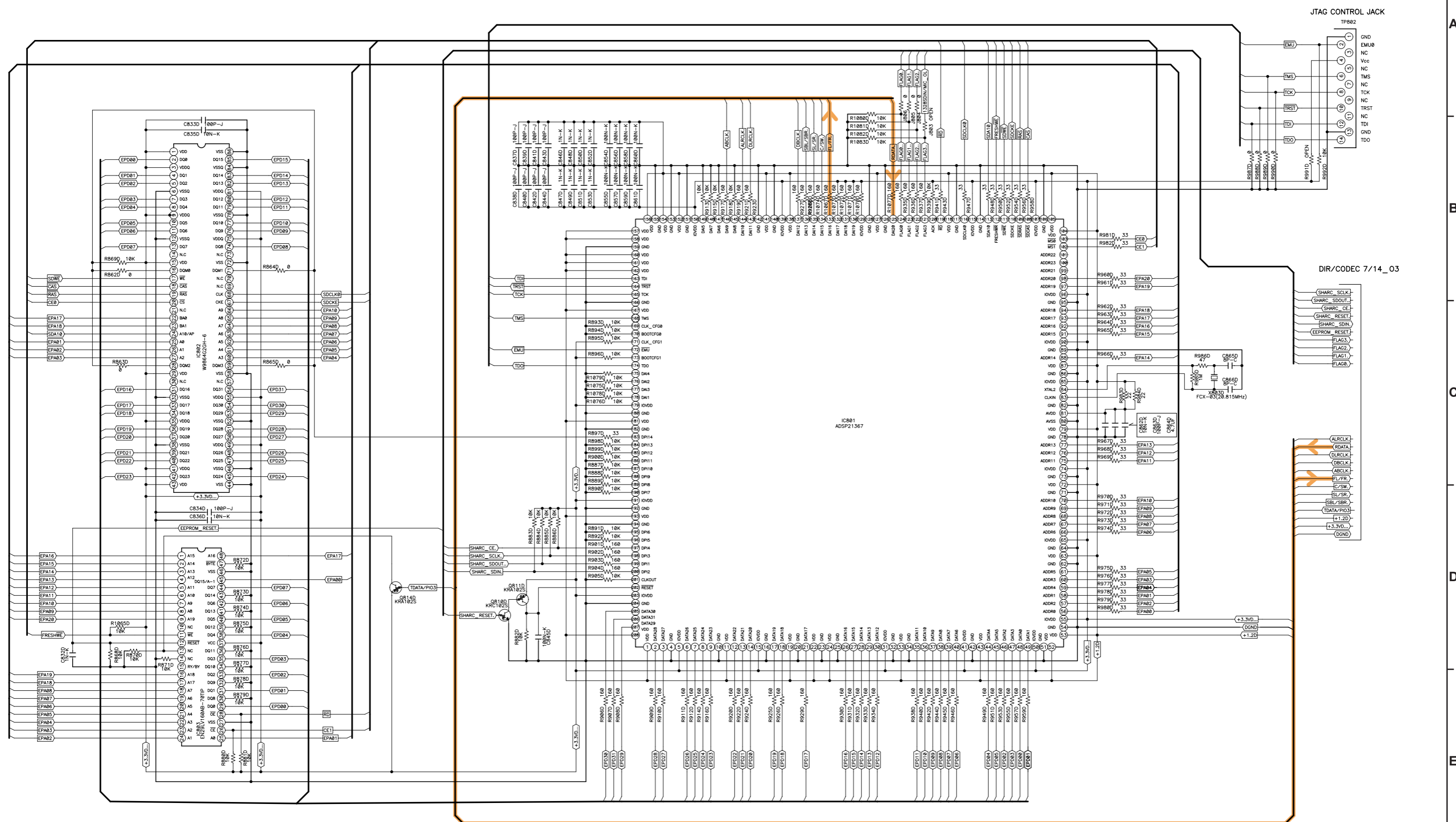


*AREA TABLE

	1909BKE3	789BKE3	1909 E2	789BKE2	1909 N	1709BKE3	689BKE3	1609BKE3	589BKE3	15/1709E2	589/689BKE2	1509/1519E1C	1509 N
OPTION_A	0	0	X	X	X	0	0	0	0	X	X	X	X
OPTION_B	X	X	0	0	X	X	X	X	X	X	X	X	X
OPTION_C	X	0	X	X	X	0	0	0	0	X	X	X	X
OPTION_D	0	X	0	0	X	X	X	X	X	X	X	X	X

A
B
C
D
E
F

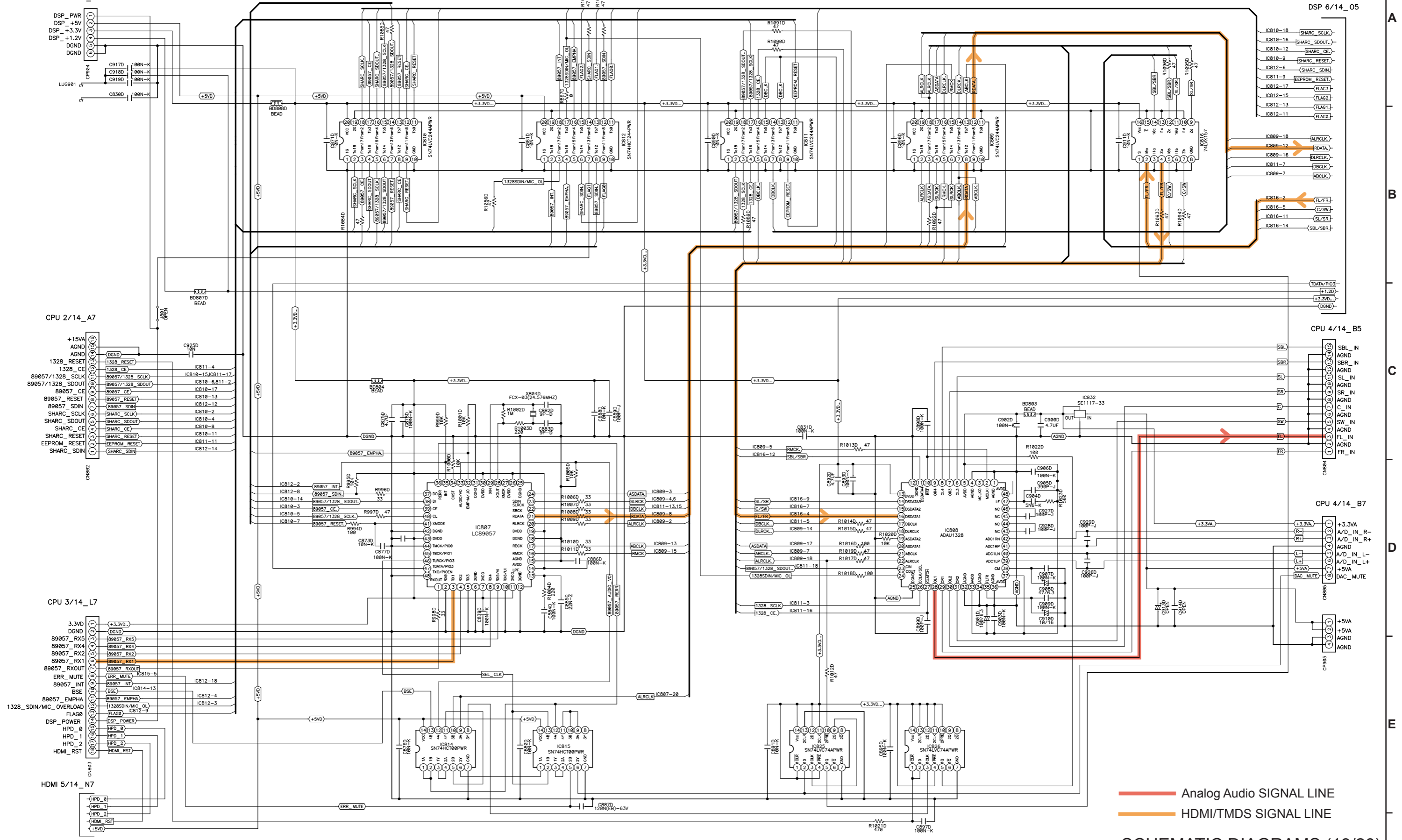
HDMI B'D



HDMI/TMDS SIGNAL LINE
SCHEMATIC DIAGRAMS (12/20)
HDMI UNIT (2/3)

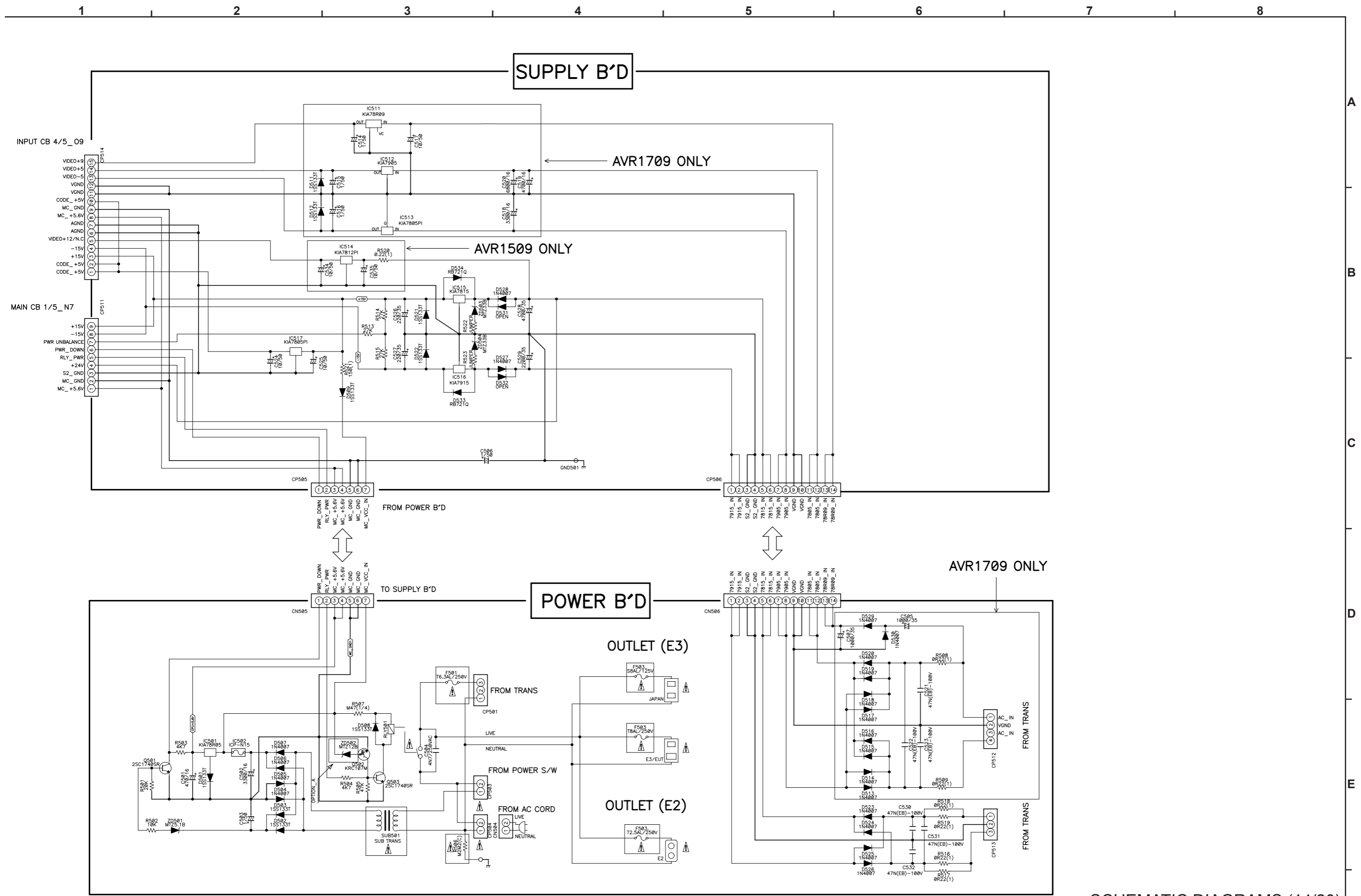
HDMI B'D

1709-2CH 13/14_L7
589PWR 14/14_L5



— Analog Audio SIGNAL LINE
— HDMI/TMDS SIGNAL LINE

SCHEMATIC DIAGRAMS (13/20)
HDMI UNIT (3/3)

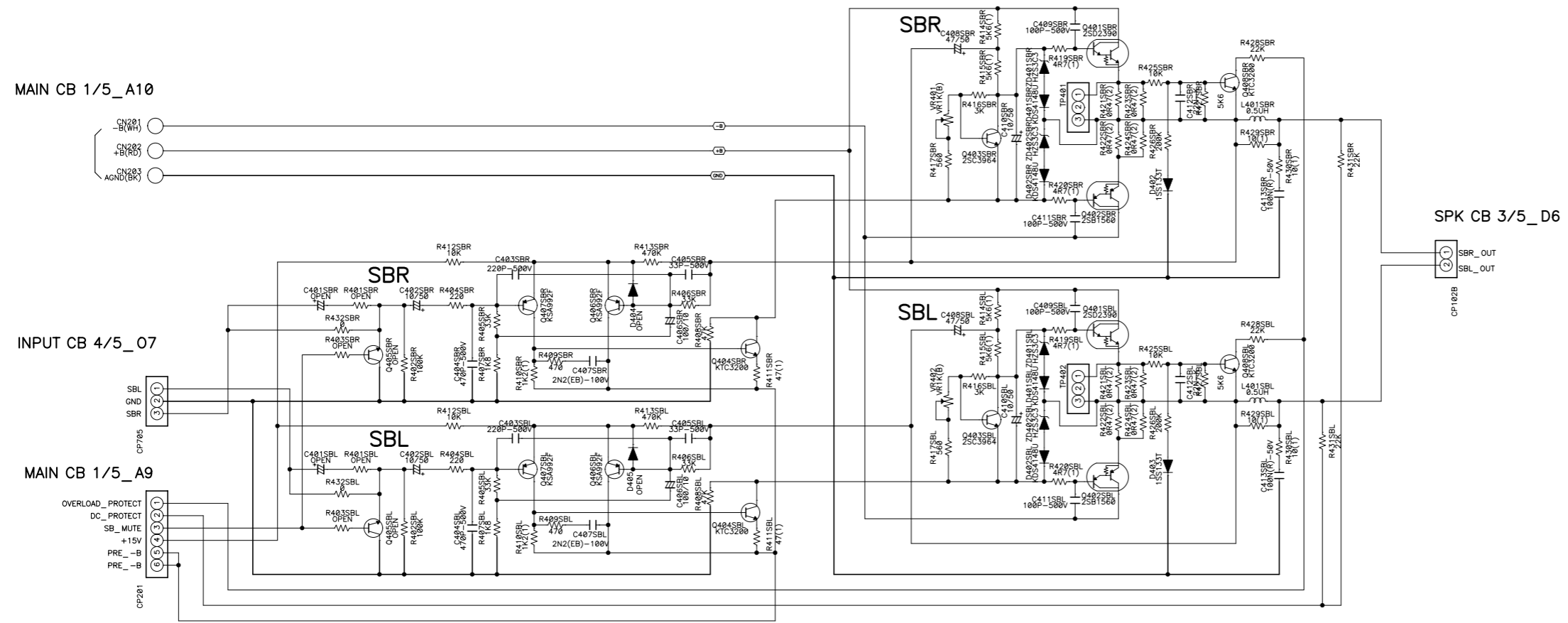


OPTION_A	AVR1709E3	AVR1709E2	AVR1709E1C	AVR689E3	AVR689E2	AVR689EA	AVR1609E3	AVR1509E2	AVR1519E1C	AVR1509E1C	AVC1509SP	AVR589E2	AVR589EA	AVR589E3
	MTZ12B	MTZ16B	MTZ16B	MTZ12B	MTZ16B	MTZ16B	MTZ12B	MTZ16B	MTZ16B	MTZ16B	MTZ12B	MTZ16B	MTZ16B	MTZ12B

SCHEMATIC DIAGRAMS (14/20)
 SUPPLY UNIT
 POWER UNIT
 AVR-1709/1609/1519/1509/689/589, AVC-1509

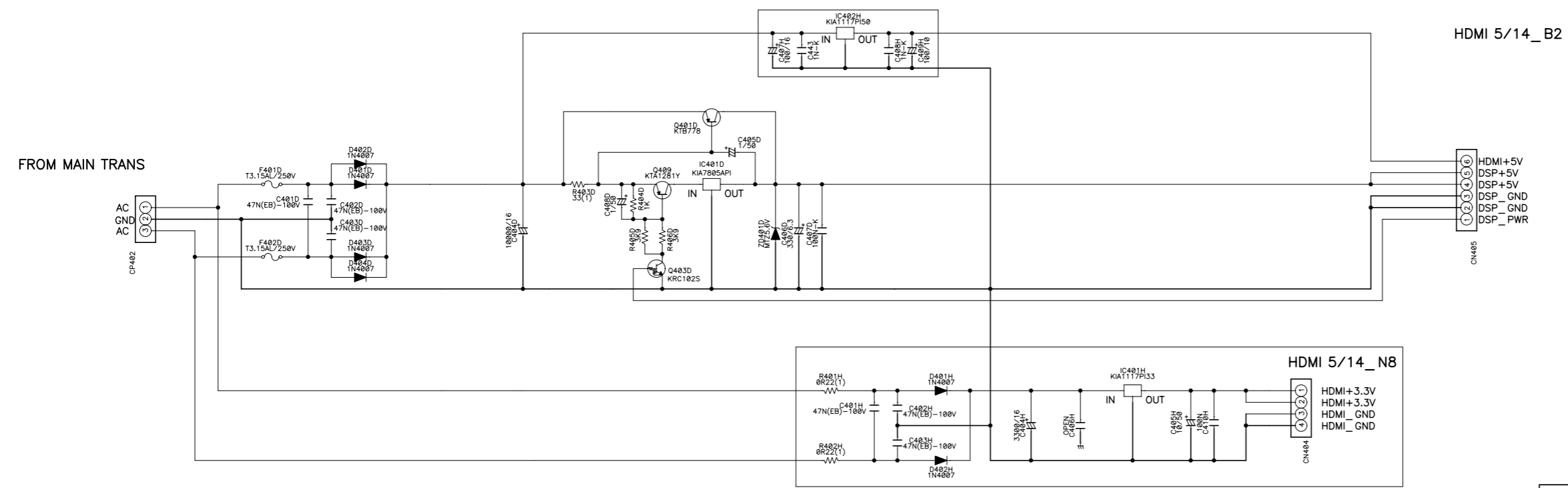
2CH AMP B'D

(1)2CH AMP PARTS



SPK CB 3/5_D6

(2)DSP/HDMI_POWER PARTS



HDMI 5/14_B2

HDMI 5/14_N8

VIDEO B'D

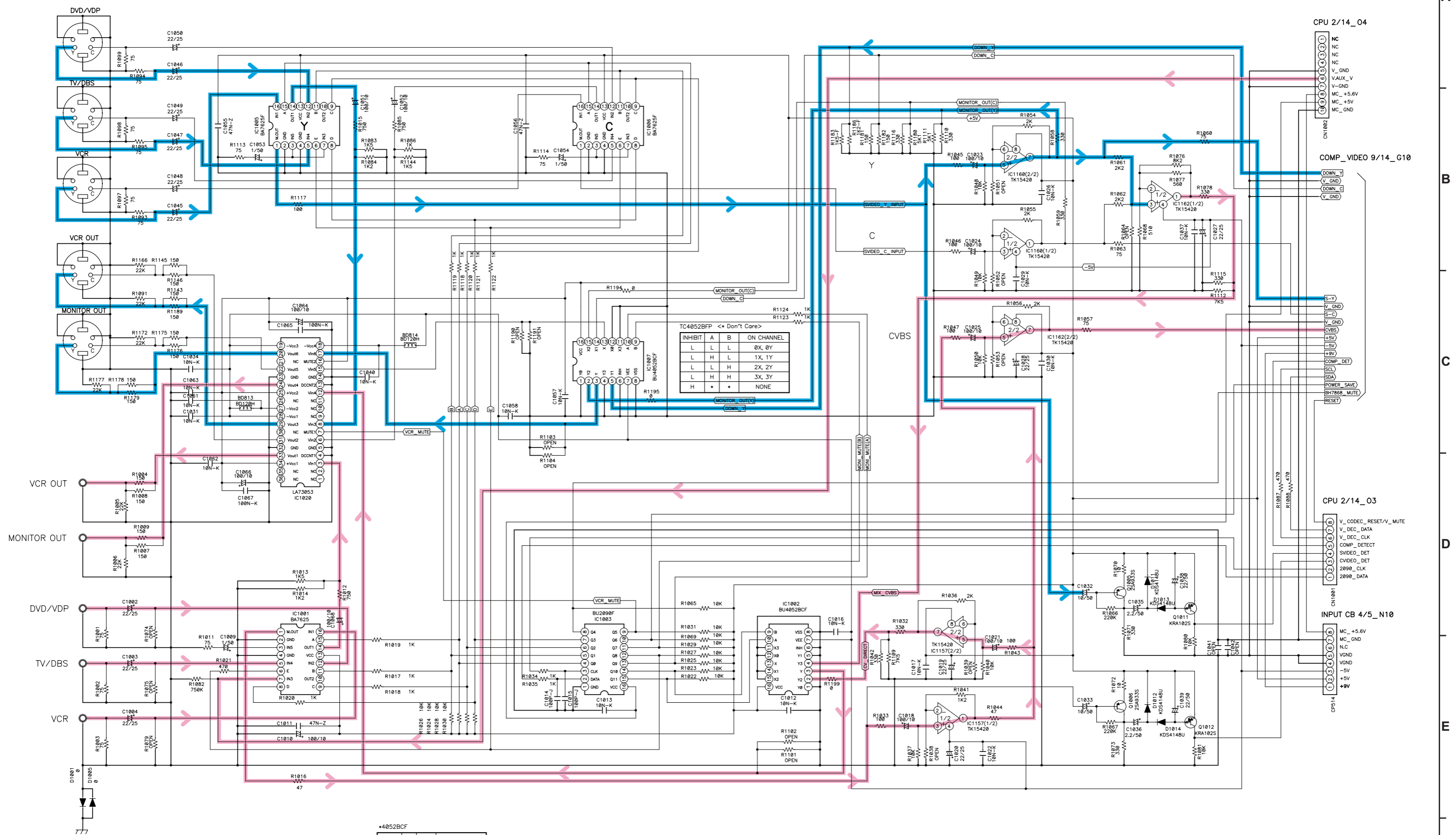
(1)C/S_VIDEO PARTS(AVR1709 ALL)

REC TRUE TABLE

C	D	E	V OUT1
L	L	*	-
H	L	*	IN2
L	H	*	IN3
H	H	L	IN4
H	H	H	IN5

MAIN TRUE TABLE

A	B	E	MONITOR OUT
L	L	*	IN1(VCR)
H	L	*	IN2(DVD)
L	H	*	-
H	H	L	IN4(TV)
H	H	H	IN5(MUTE)



TC4052BFP << Don't Care >>

INHIBIT	A	B	ON CHANNEL
L	L	L	0X, 0Y
L	L	H	1X, 1Y
L	H	H	2X, 2Y
L	H	L	3X, 3Y
H	*	*	NONE

*4052BFP

INHIBIT	A	B	ON CHANNEL
L	L	L	0X, 0Y
L	H	L	1X, 1Y
L	L	H	2X, 2Y
L	H	H	3X, 3Y
H	*	*	NONE

* Don't Care

A	B	E	MONITOR_OUT
L	L	*	IN1(VCR)
H	L	*	IN2(DVD)
L	H	*	IN3(V.AUX)
H	H	L	IN4(TV)
H	H	H	IN5(MUTE)

C	D	E	REC_OUT
L	L	*	-
H	L	*	IN2
L	H	*	IN3
H	H	L	IN4
H	H	H	IN5

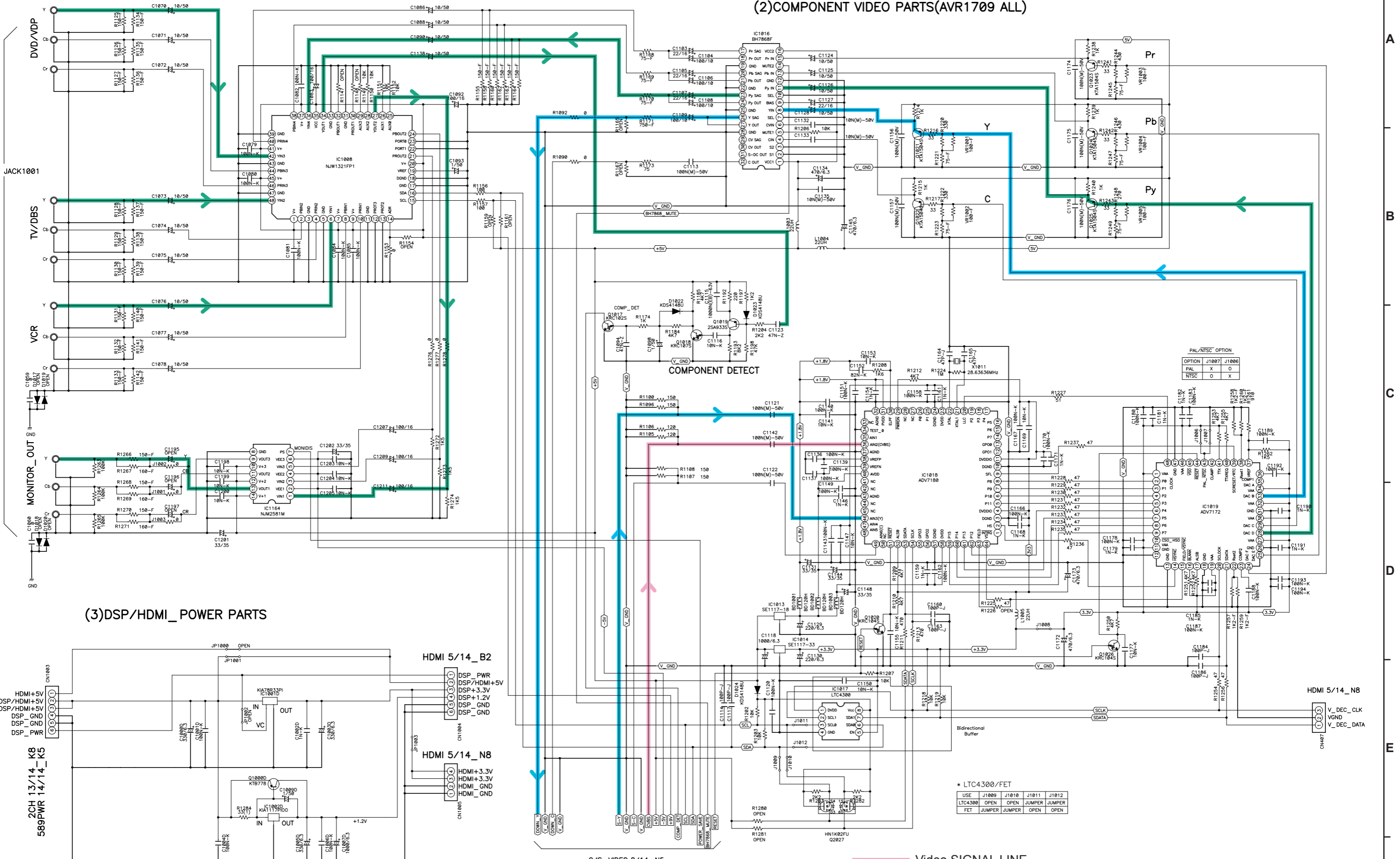
— Video SIGNAL LINE
 — S- Video Y SIGNAL LINE

SCHEMATIC DIAGRAMS (16/20)
VIDEO UNIT (1/4)
C/S_VIDEO PARTS (AVR1709 ALL)
AVR-1709/1609/1519/1509/689/589, AVC-1509

A
B
C
D
E
F

VIDEO B'D

(2)COMPONENT VIDEO PARTS(AVR1709 ALL)



PAL/NTSC OPTION

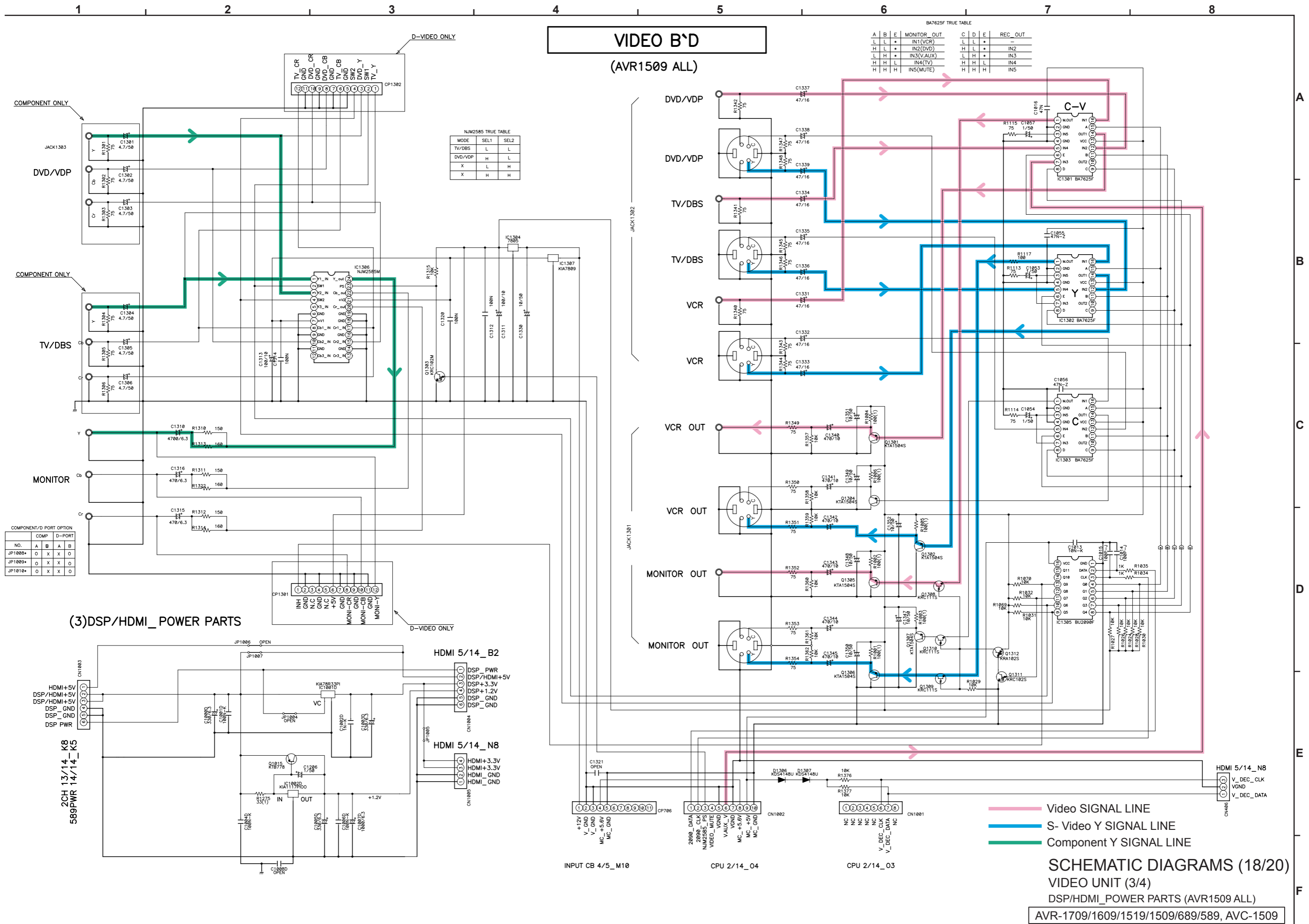
OPTION	J1007	J1006
PAL	X	O
NTSC	O	X

* LTC4300/FET

USE	J1009	J1010	J1011	J1012
LTC4300	OPEN	OPEN	JUMPER	JUMPER
FET	JUMPER	JUMPER	OPEN	OPEN

- Video SIGNAL LINE
- S- Video Y SIGNAL LINE
- Component Y SIGNAL LINE

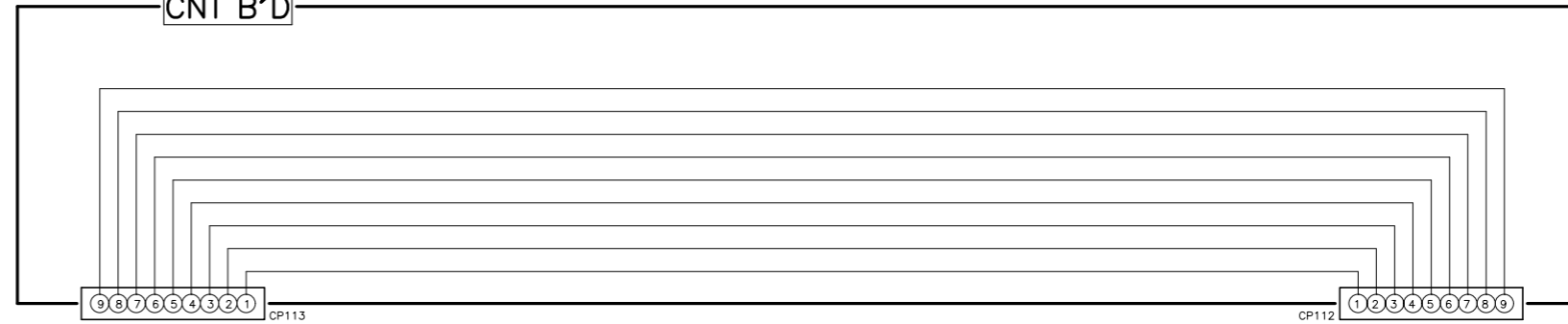
SCHEMATIC DIAGRAMS (17/20)
VIDEO UNIT (2/4)
COMPONENT VIDEO PARTS (AVR1709 ALL)
AVR-1709/1609/1519/1509/689/589, AVC-1509



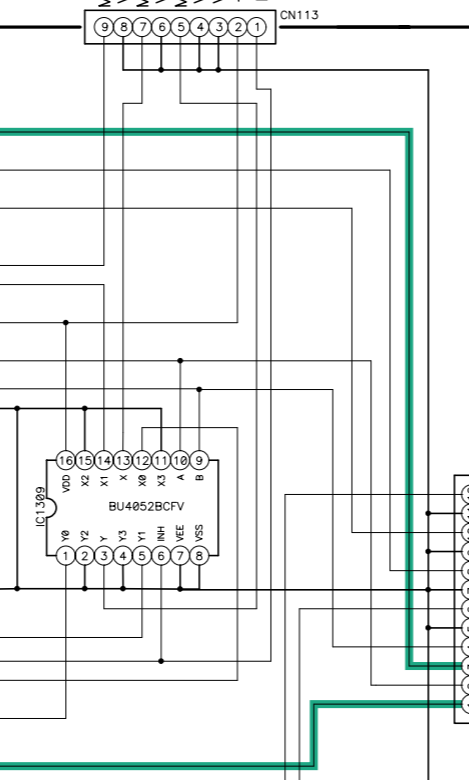
VIDEO B'D

(D-VIDEO ONLY)

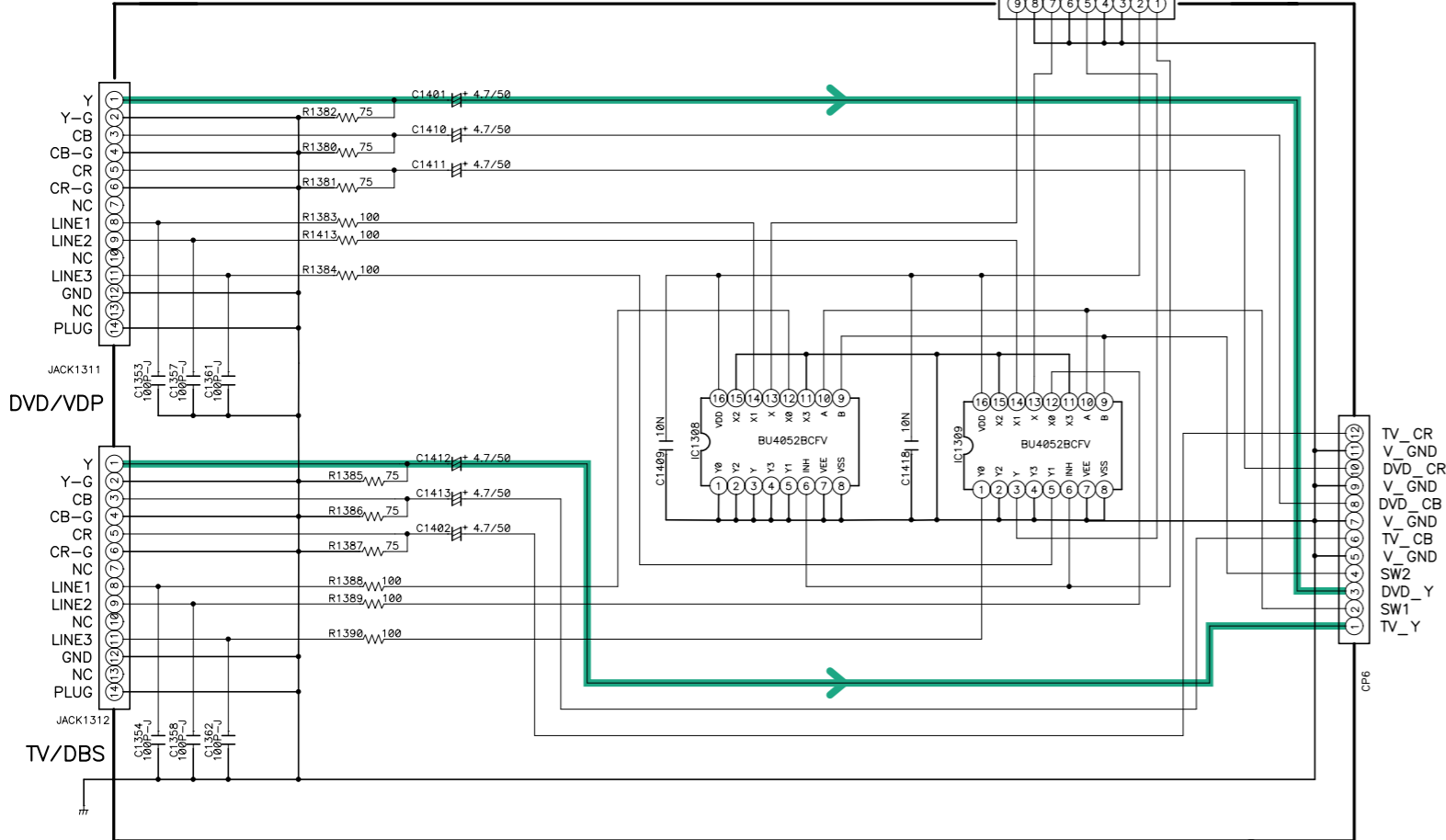
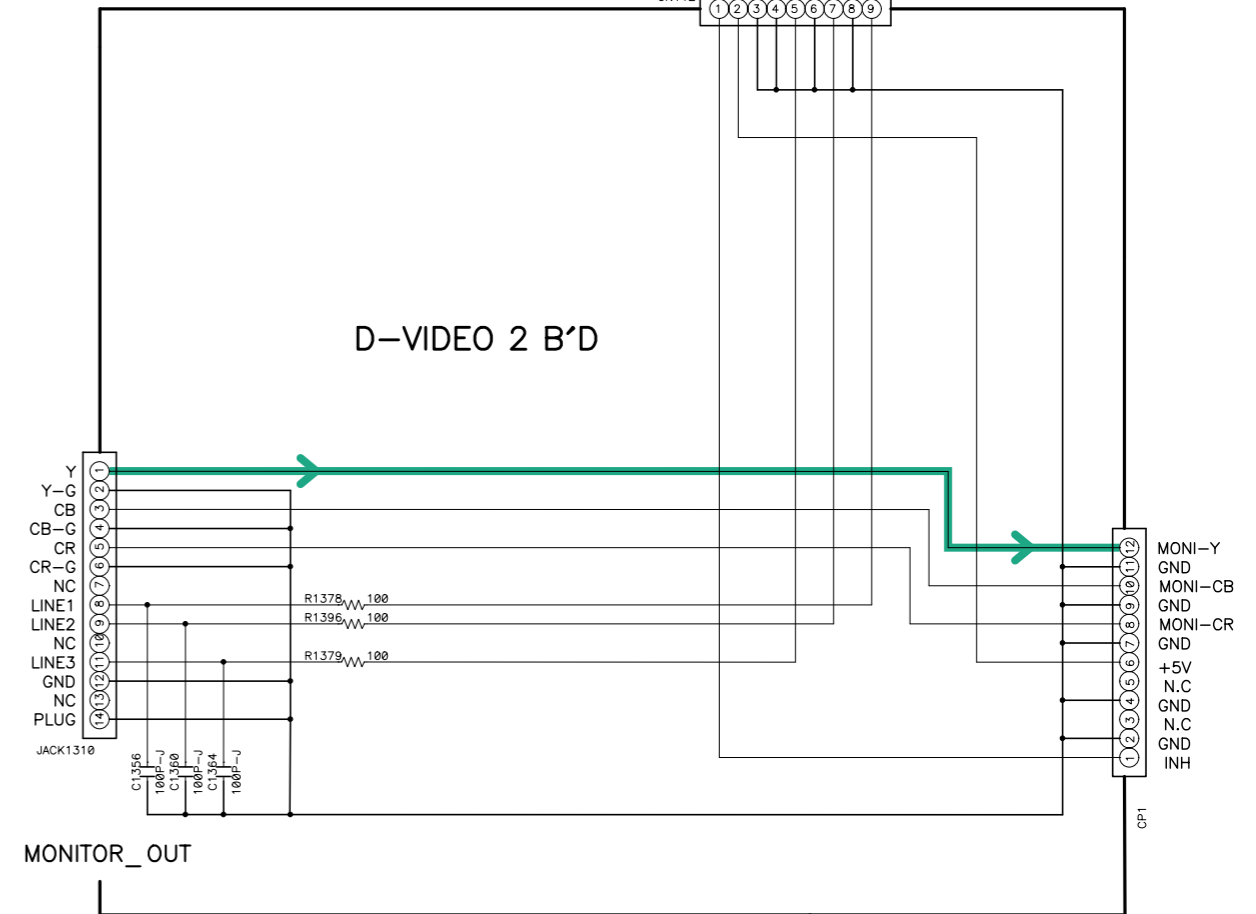
CNT B'D



CN113



D-VIDEO 2 B'D



— Component Y SIGNAL LINE

BU4052BCF TRUE TABLE

MODE	SEL1	SEL2	ON CHANNEL
TV/DBS	L	L	0X 0Y
DVD/VDP	H	L	1X 1Y
X	L	H	2X 2Y
VCR	H	H	3X 3Y

SCHEMATIC DIAGRAMS (19/20)
VIDEO UNIT (4/4)
 D-VIDEO ONLY

AVR-1709/1609/1519/1509/689/589, AVC-1509

1 2 3 4 5 6 7 8

A
B
C
D
E
F

AVR589_PWR PART

